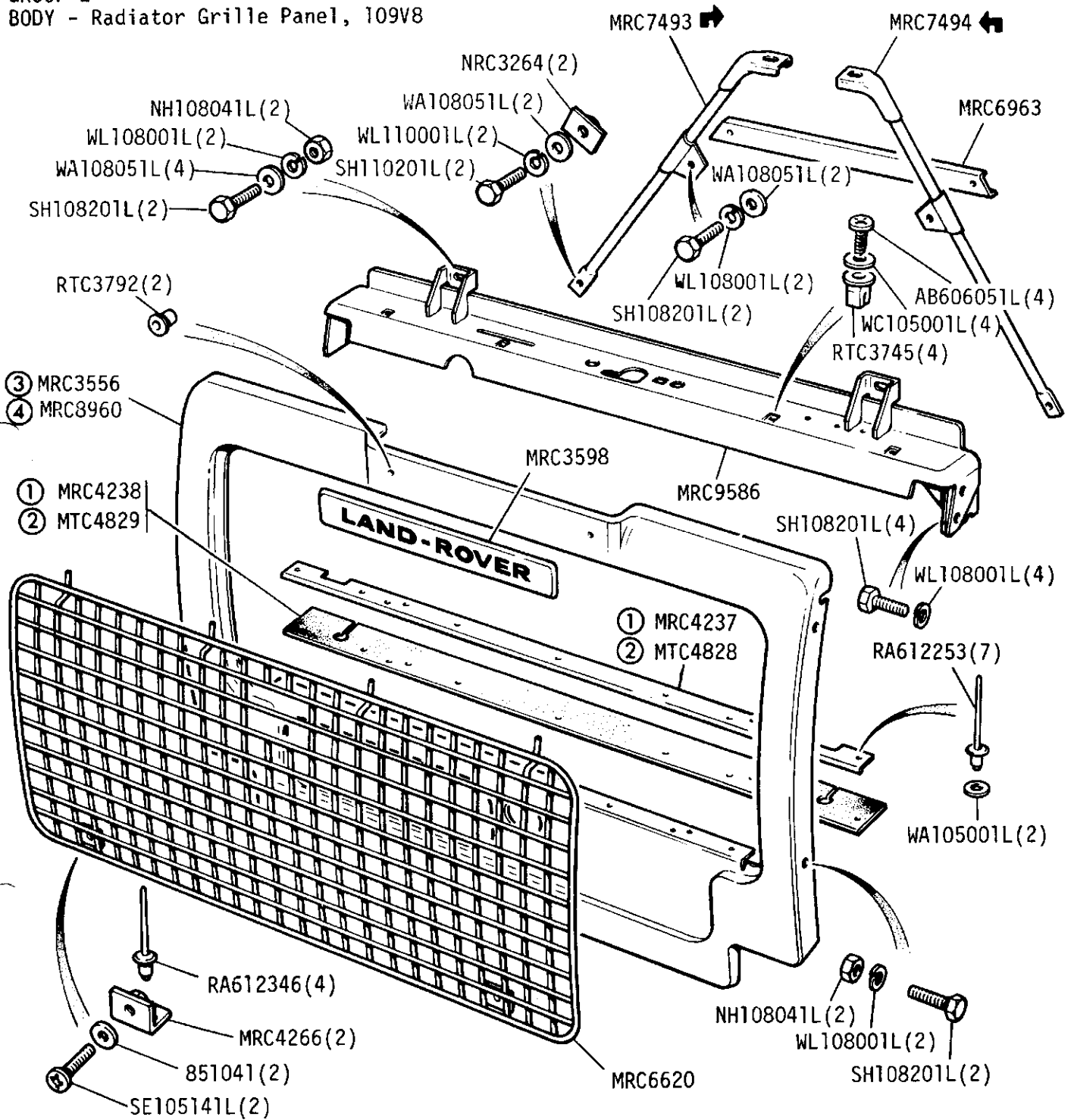


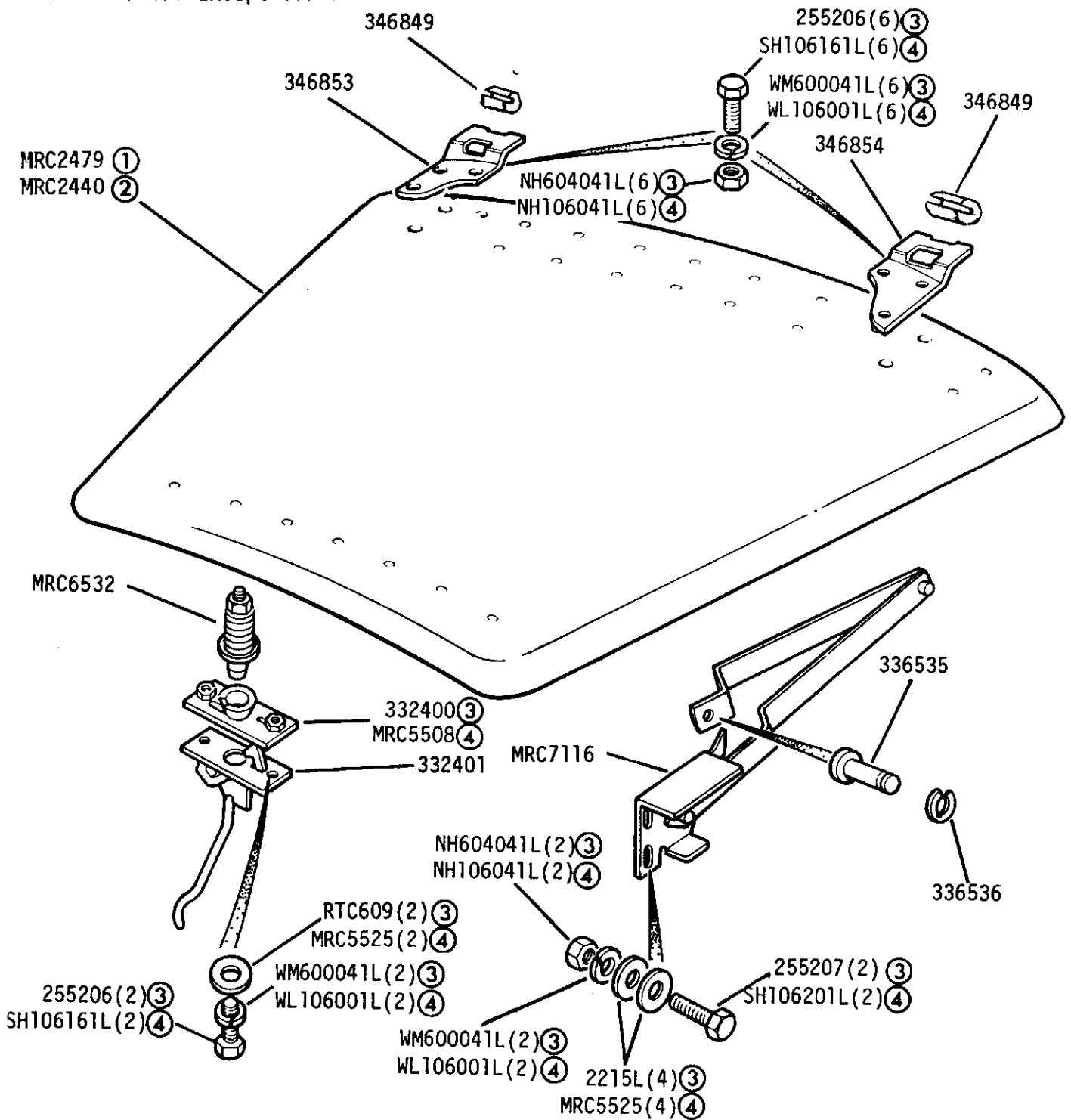
GROUP L
 BODY - Radiator Grille Panel, 109V8



- ① Up to June 1983
- ② From July 1983
- ③ Up to May 1980
- ④ From June 1980 onwards

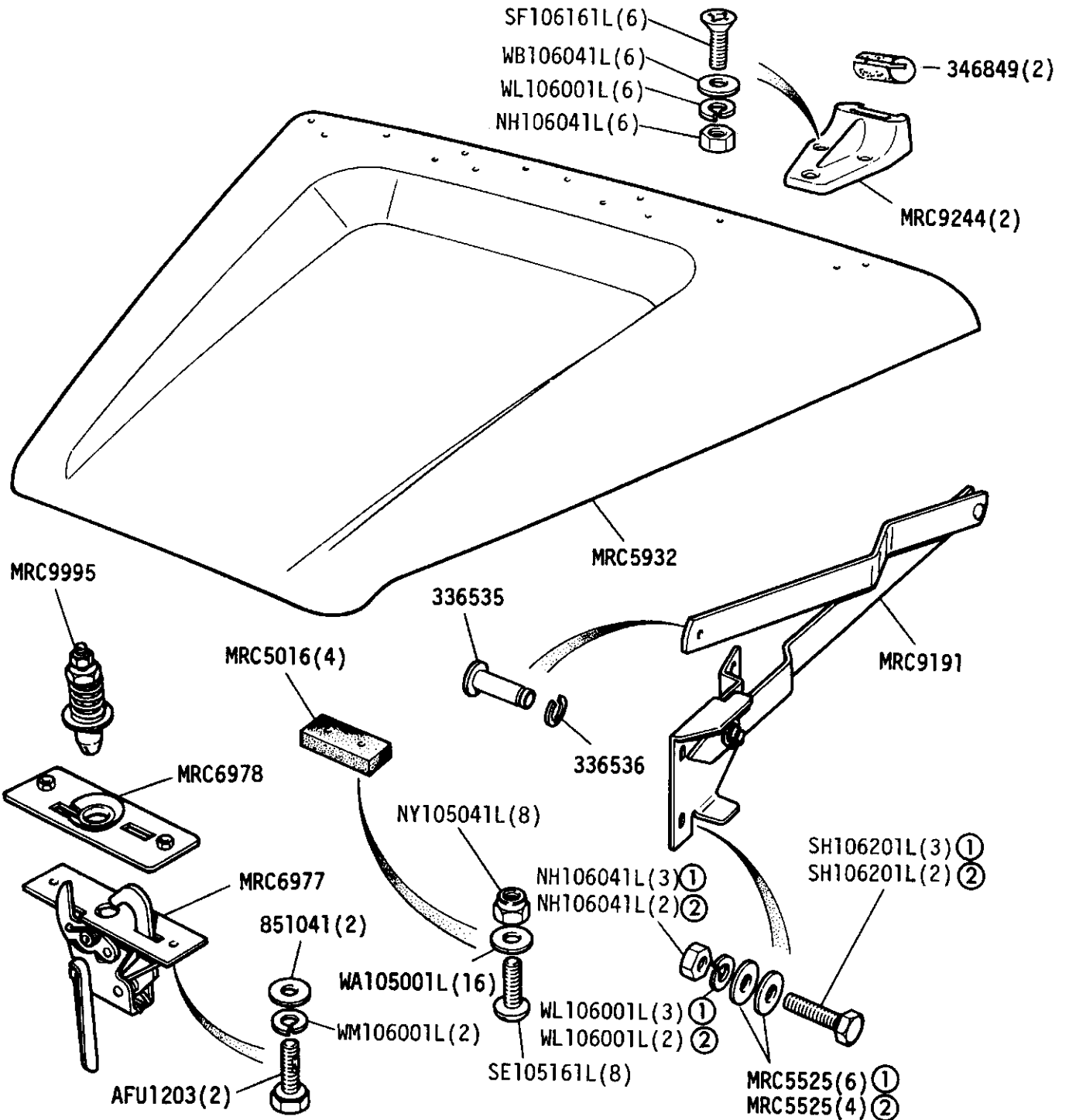
MRC5589 Bonnet lock assy
 MRC6262 Key blank

GROUP L
 BODY - Bonnet Except 109 V8



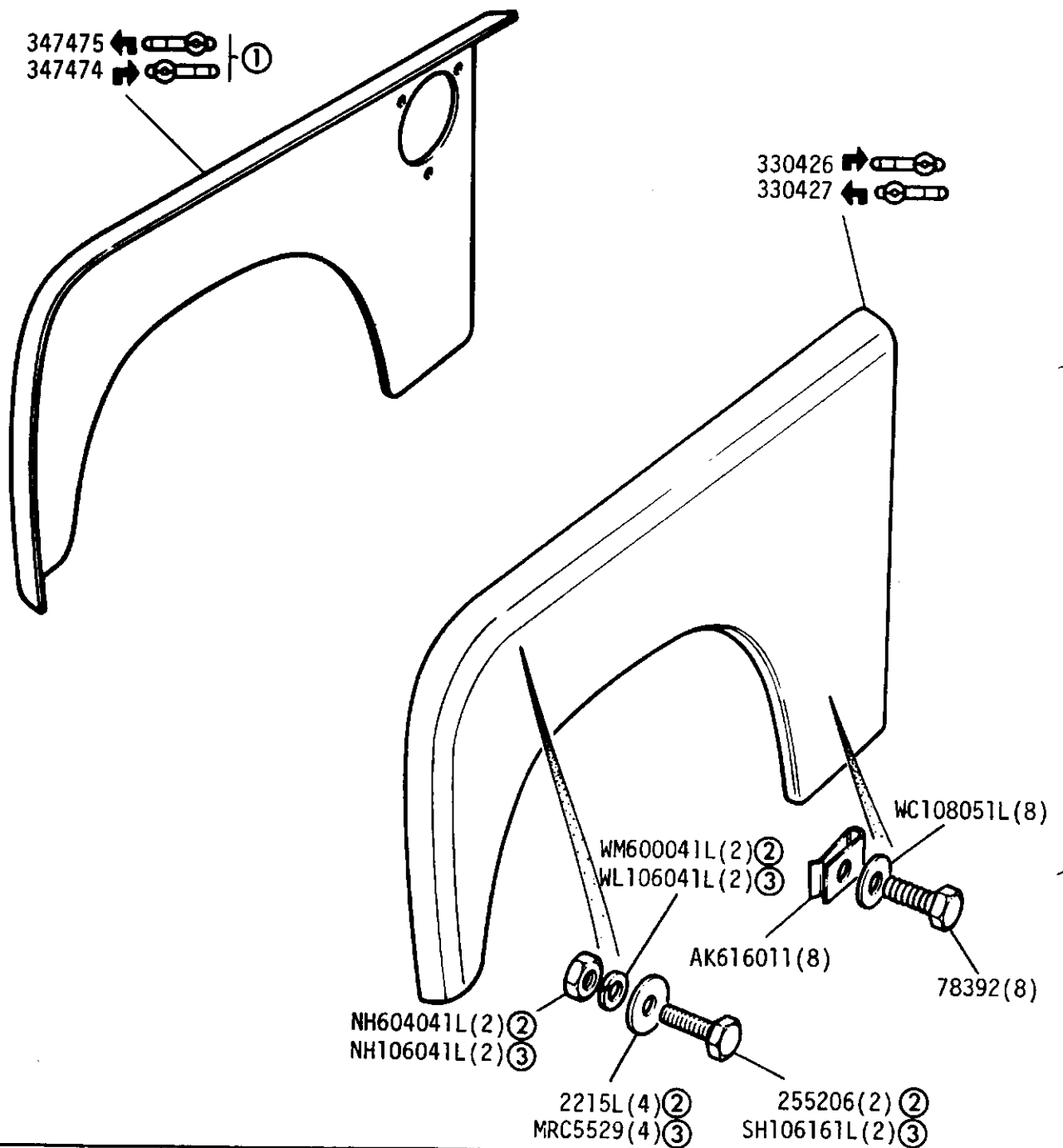
- ① Plain type
- ② De-Luxe recessed. Optional
- ③ UNF
- ④ METRIC

GROUP L
 BODY - Bonnet, 109V8



- ① Except Station Wagon
- ② Station Wagon

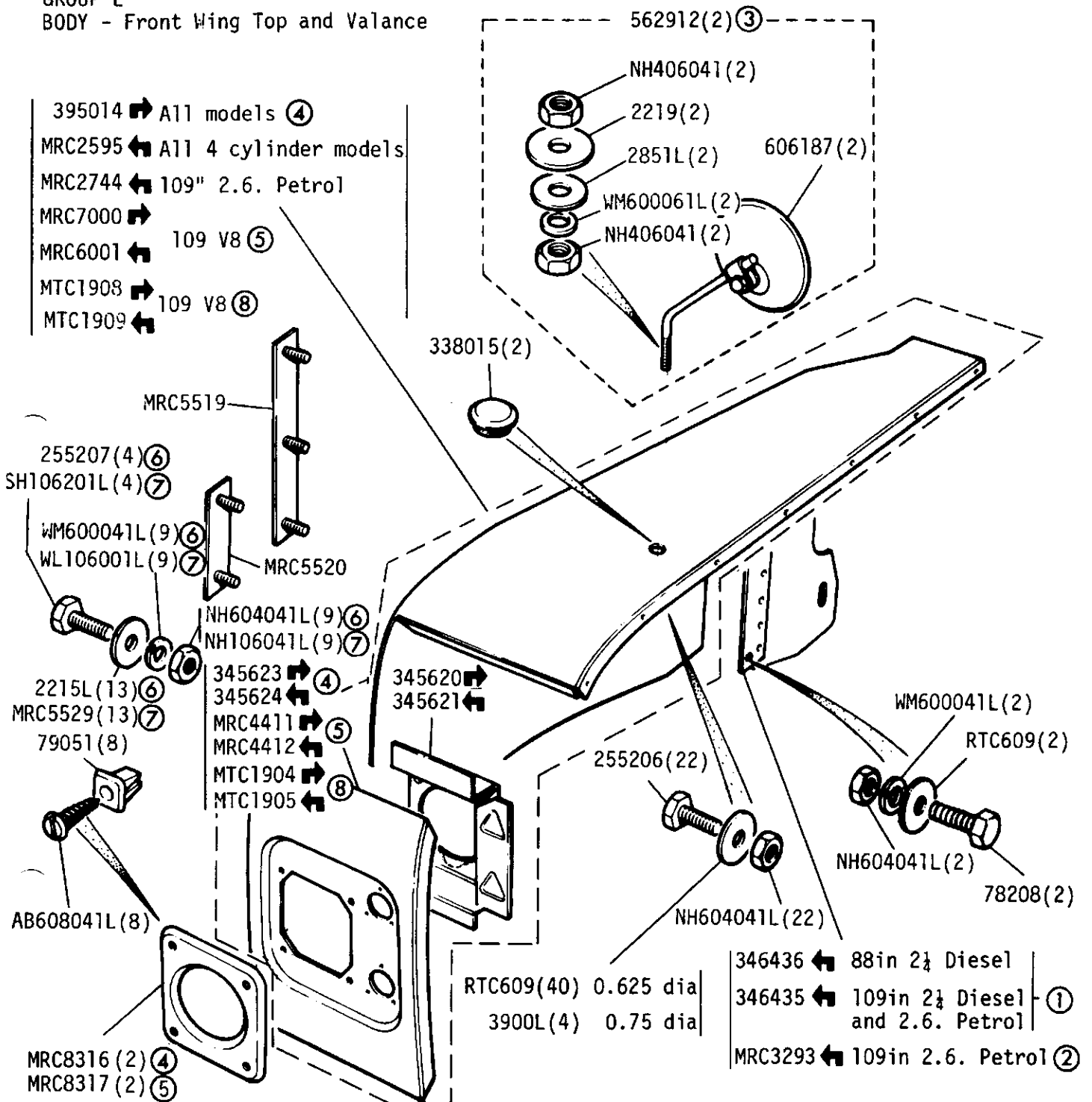
GROUP L
 BODY - Front Wings



① With aperture for fresh air heater intake

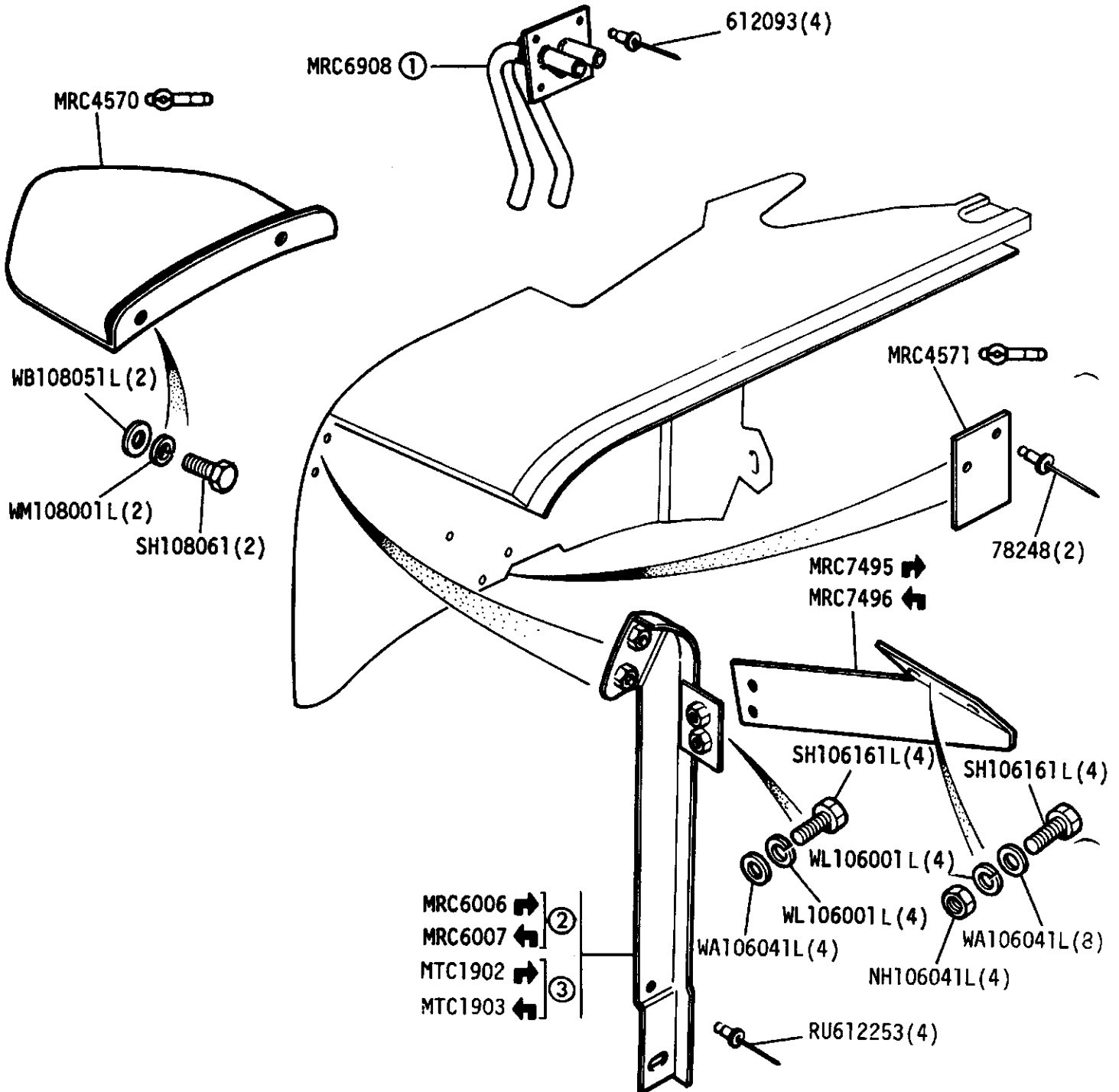
- ② UNF
- ③ METRIC

GROUP L
BODY - Front Wing Top and Valance



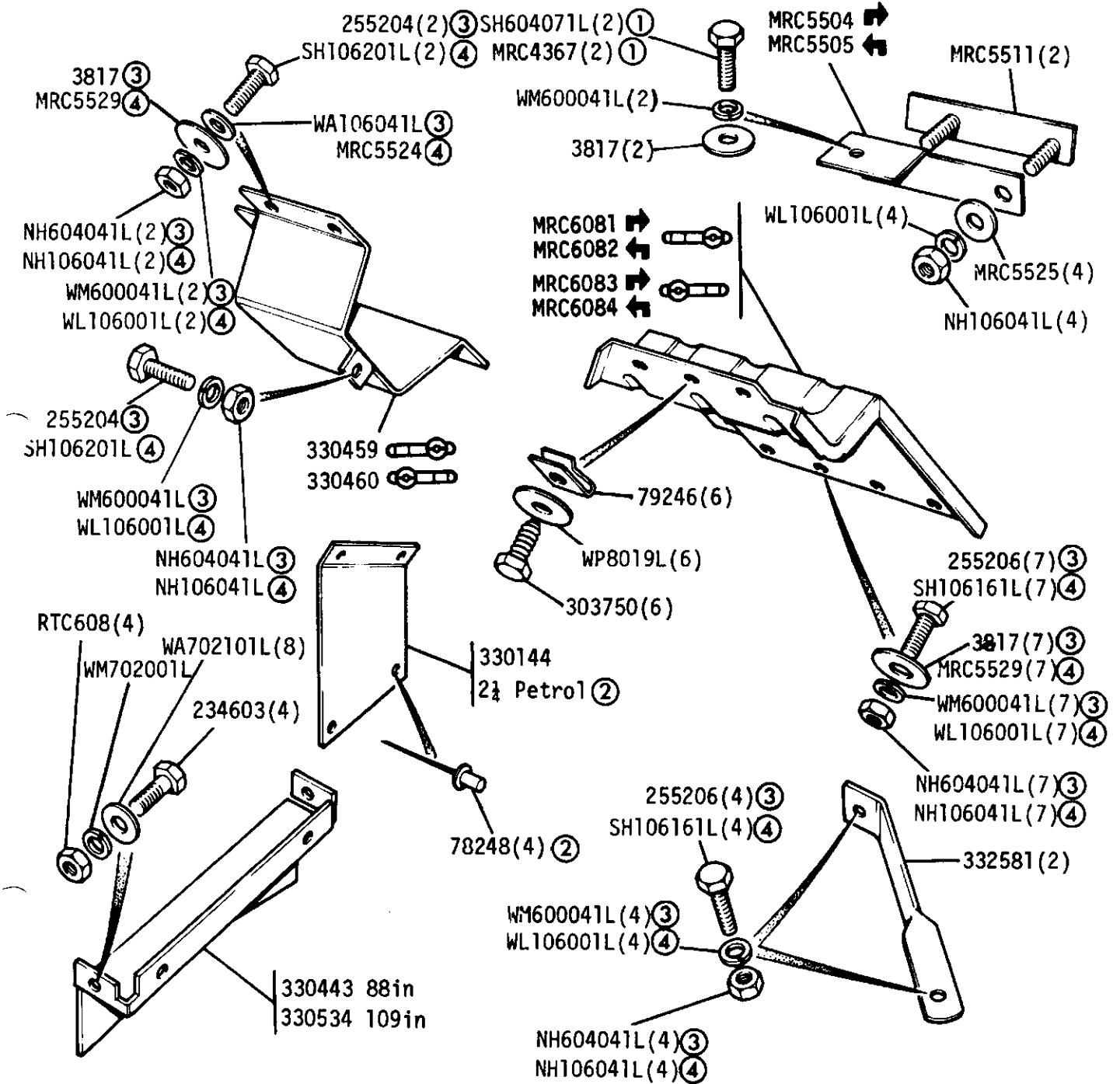
- ① Up to December 1974
- ② From January 1975 onwards
- ③ Up to November 1977 See frame 2I 03 for door mounted mirror
- ④ Except 109 V8
- ⑤ 109 V8 Upto SALLBCAV2AA188641
- ⑥ UNF
- ⑦ METRIC
- ⑧ 109 V8 From SALLBCAV2AA188642 onwards

GROUP L
 BODY - Front wing fittings, 109V8 only



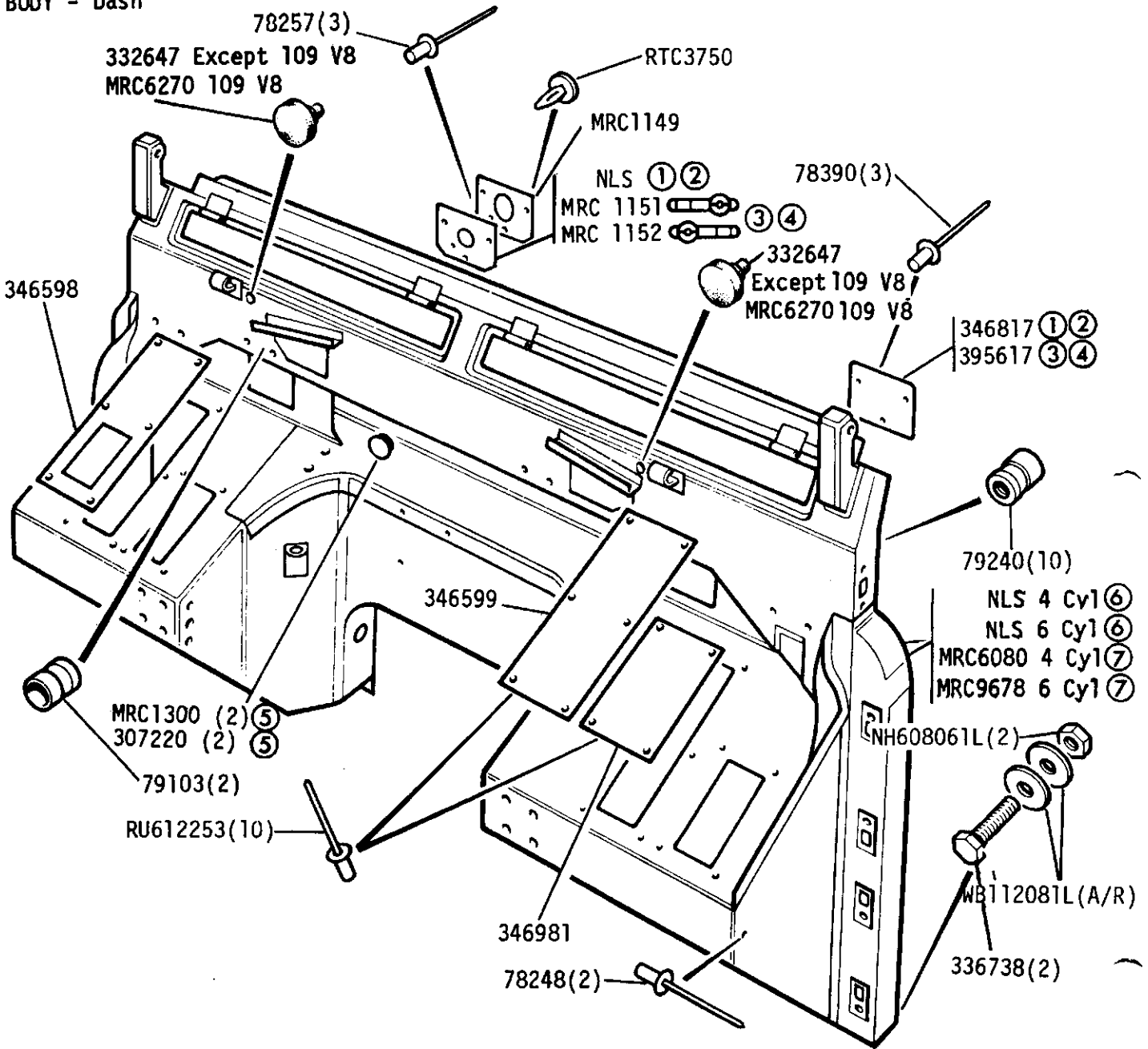
- | | |
|----------------------------------|--|
| ① RH wing only | Shim, wing to valance - MRC4037 (A/R) |
| ② Up to SALLBCAV2AA188641 | Special bolt, Front wing to dash - AM605061(8) |
| ③ From SALLBCAV2AA188642 Onwards | |

GROUP L
BODY - Cover Panels - Front Wings



- ① Alternatives
- ② Early models only
- ③ UNF
- ④ METRIC

GROUP L
BODY - Dash

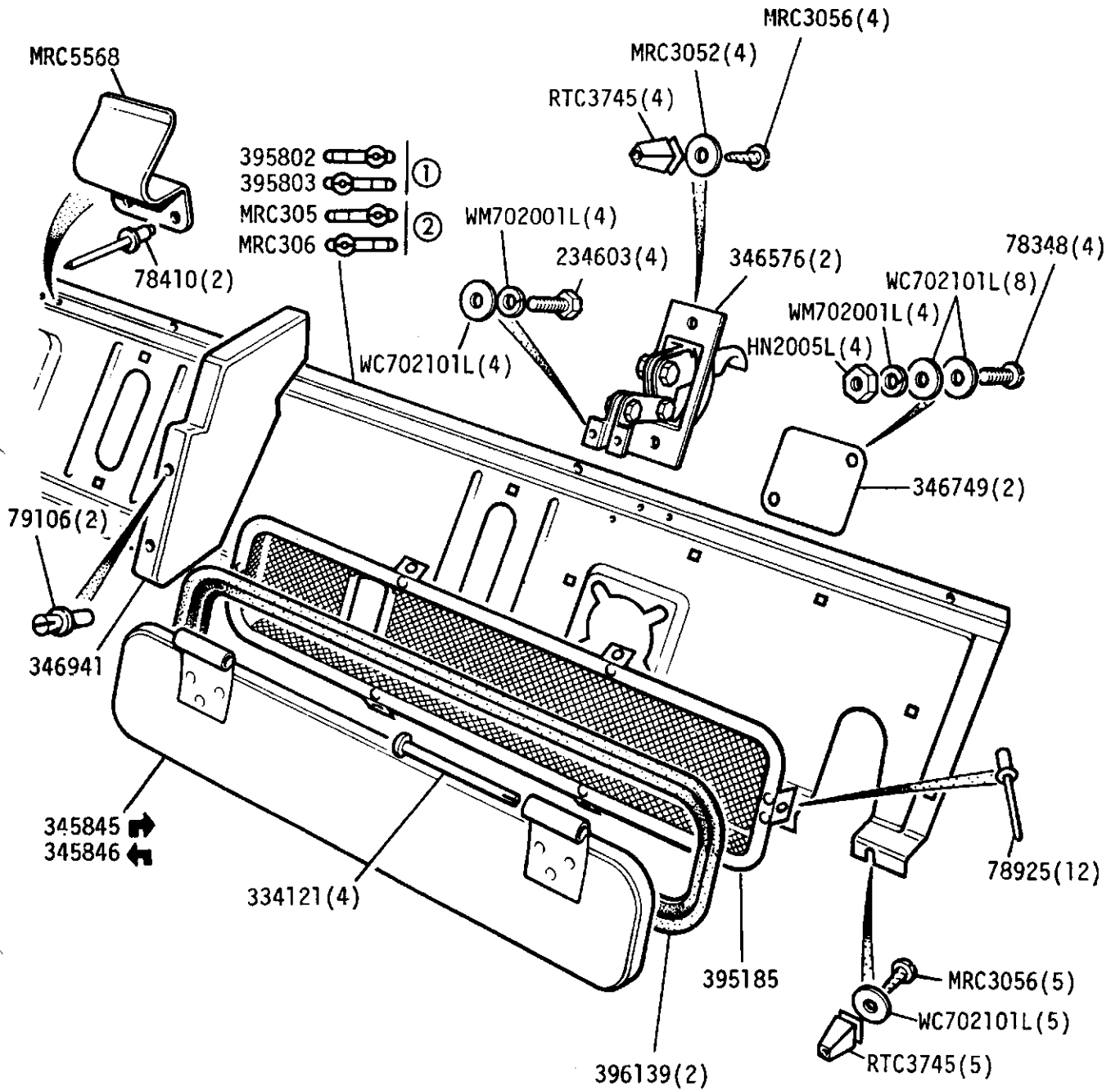


- ① 88 models up to August 1973
- ② 109 models up to vehicle suffix 'B' inclusive
- ③ 88 models from September 1973
- ④ 109 models from vehicle suffix 'C' onwards
- ⑤ Petrol models
- ⑥ Up to October 1975
- ⑦ From November 1975

Dash assembly MRC6080 109 V8
 Note-Dash assembly MRC6080
 can also be fitted to
 4 cyl vehicles
 see note on page 2G 10

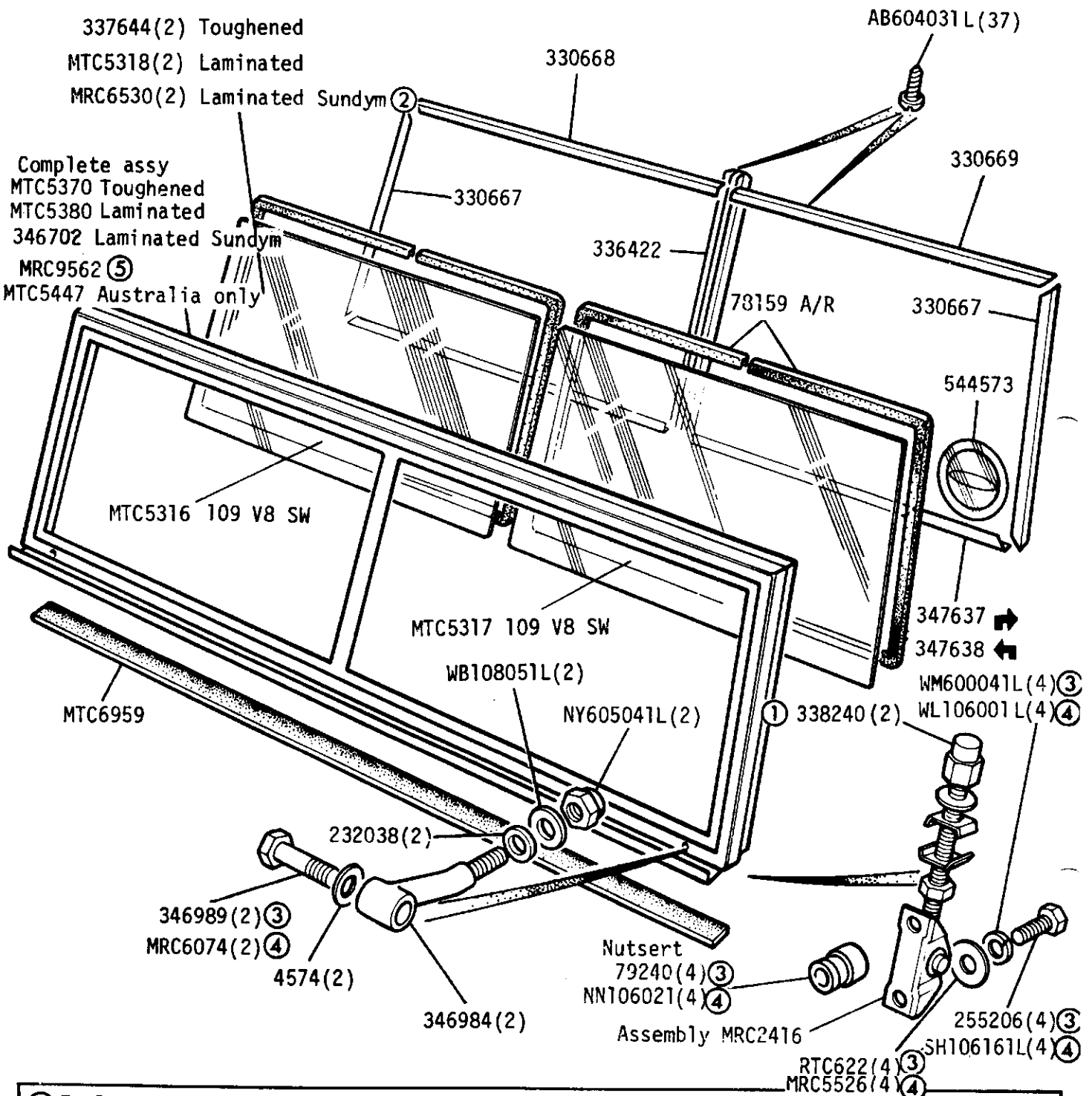
MRC9563 Instruction plate, diff lock - 109 V8

GROUP L
 JY - Ventilator and Flyscreen



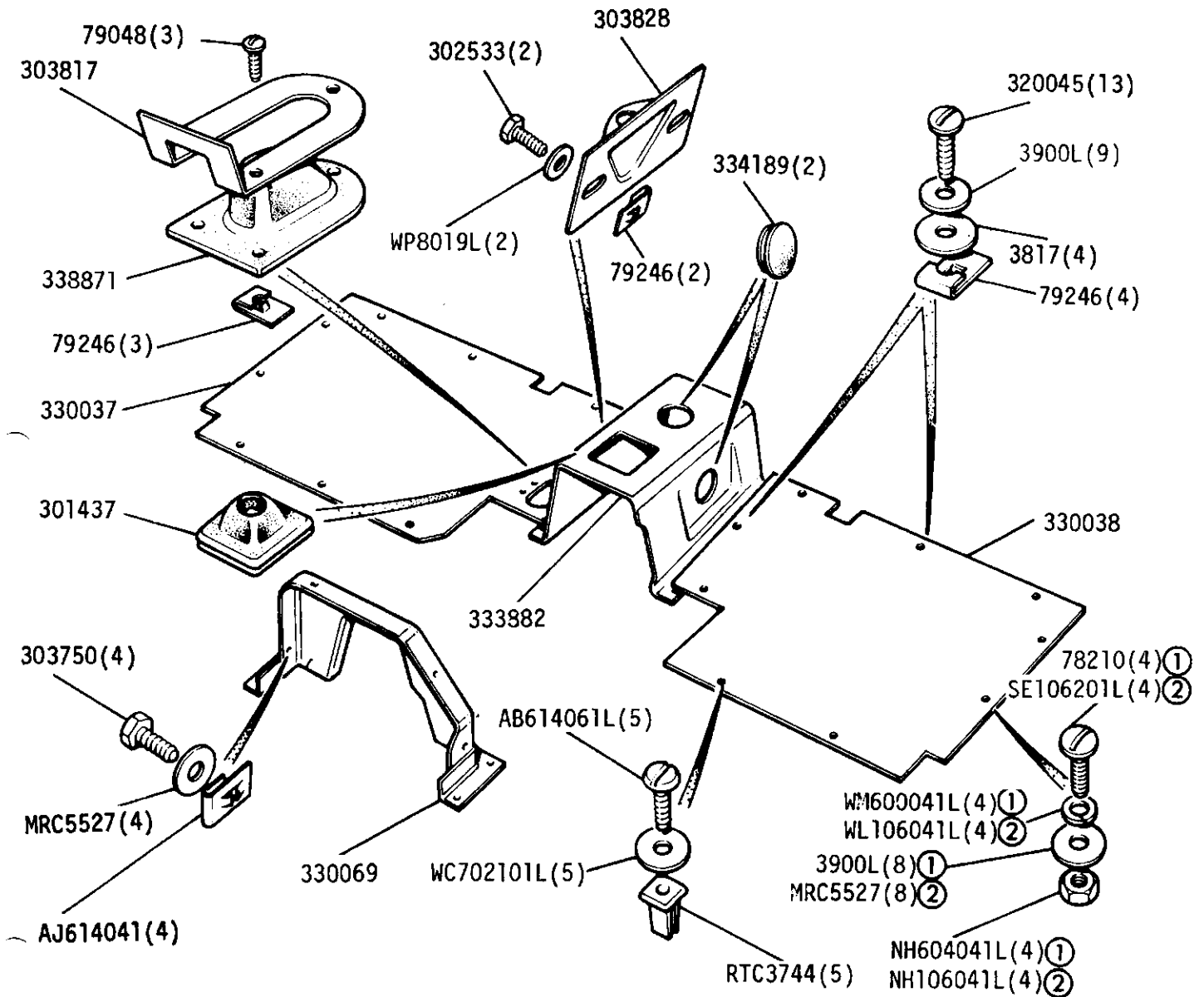
- ① Up to October 1975
 ② From November 1975 onwards

GROUP L
BODY - Windscreen



- ① Early models
- ② Except 109 V8 SW
- ③ UNF
- ④ Metric
- ⑤ County Station Wagon and 109 V8

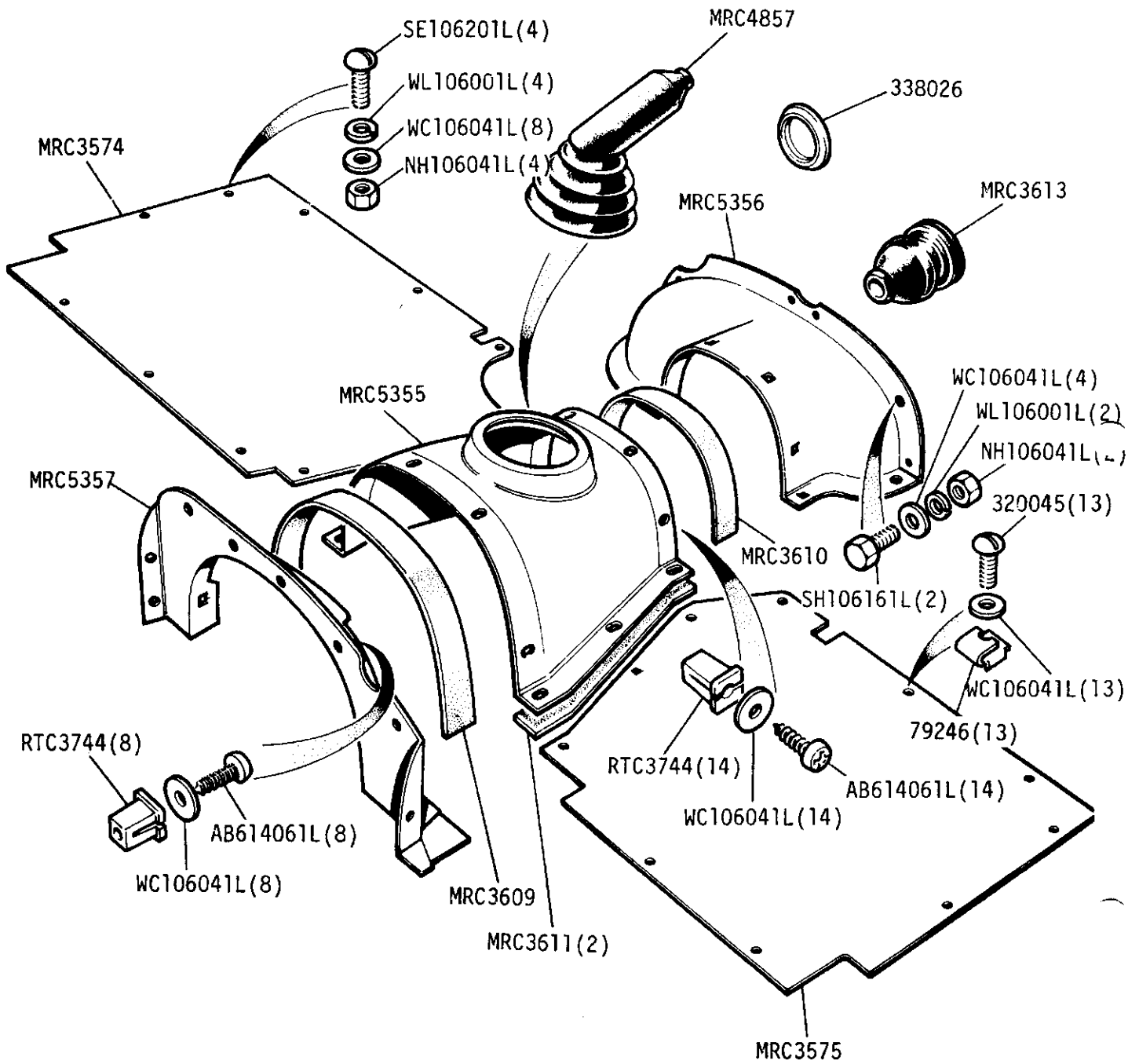
GROUP L
 ODY - Front Floor 2½ Litre Petrol and Diesel



Note-When fitting MRC6080 Dash assembly
 to 4 cyl vehicles, MRC4135 Bridge plate) Also
 MRC5357 Gearbox diaphragm panel) required

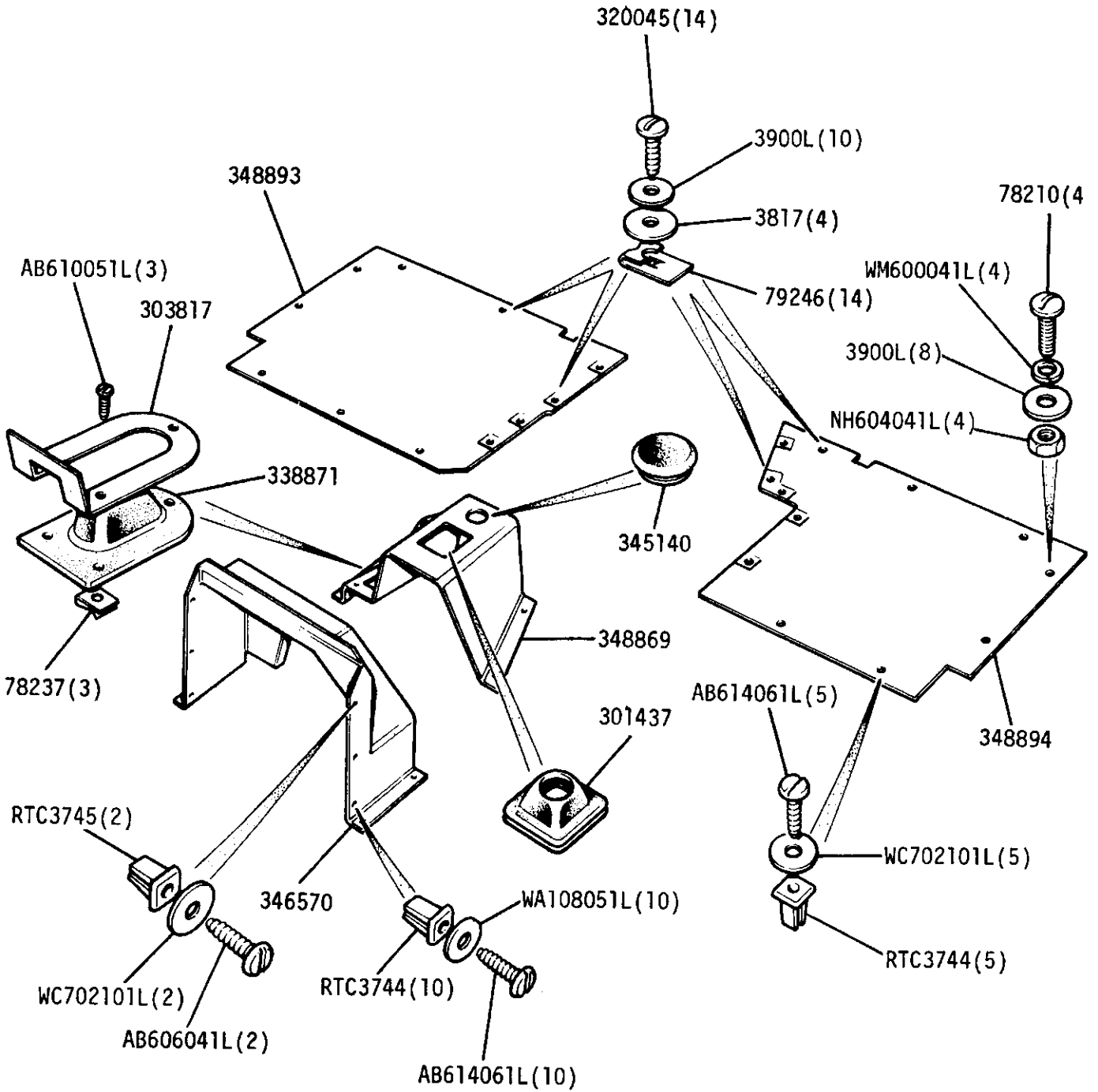
- ① UNF
- ② METRIC

GROUP L
 BODY - Front floor 109 V8

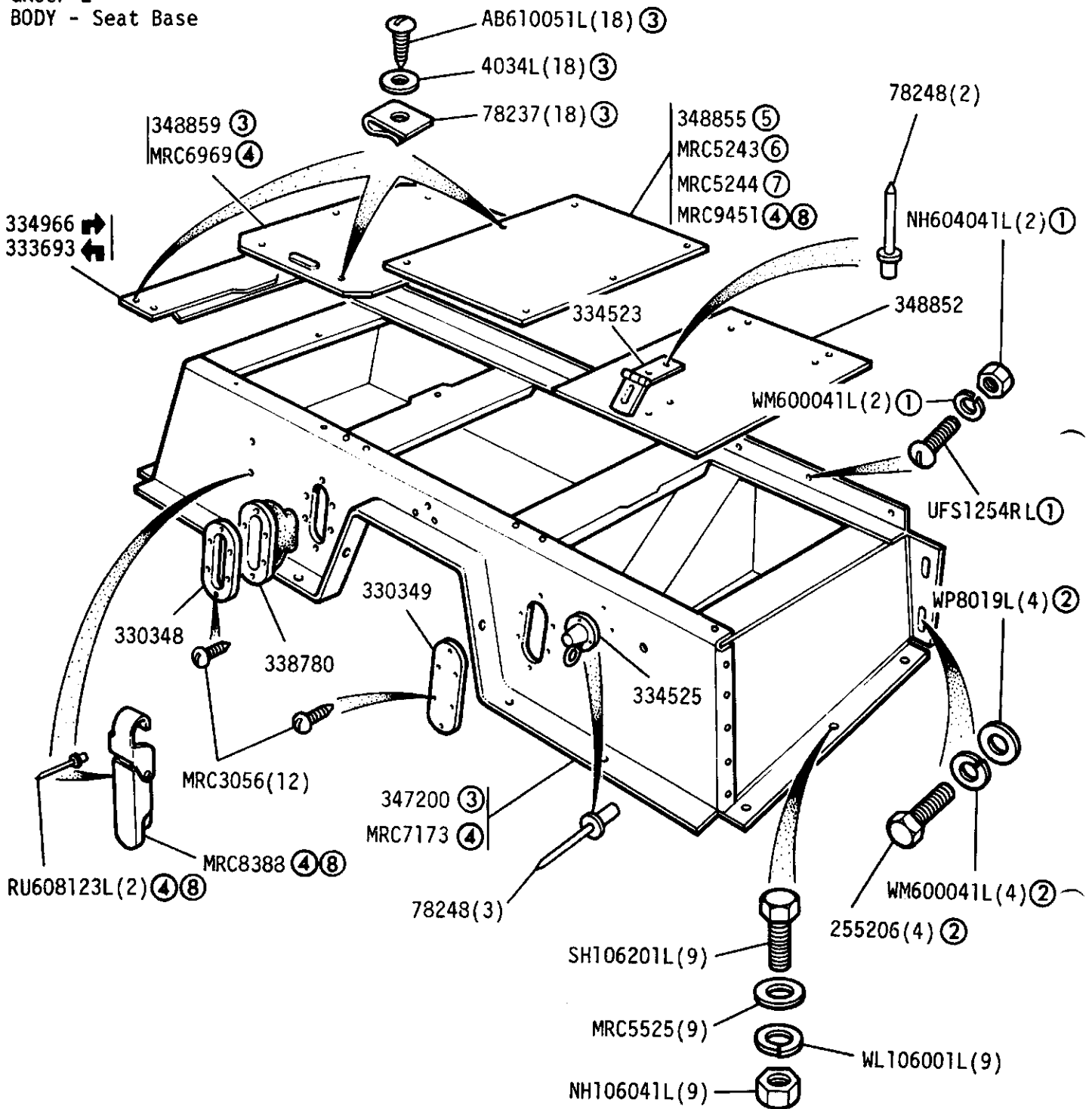


MRC7044 Cover - tunnel
 MRC4447 Cover - dash centre

GROUP L
 BODY - Front Floor 2.6 Litre Petrol

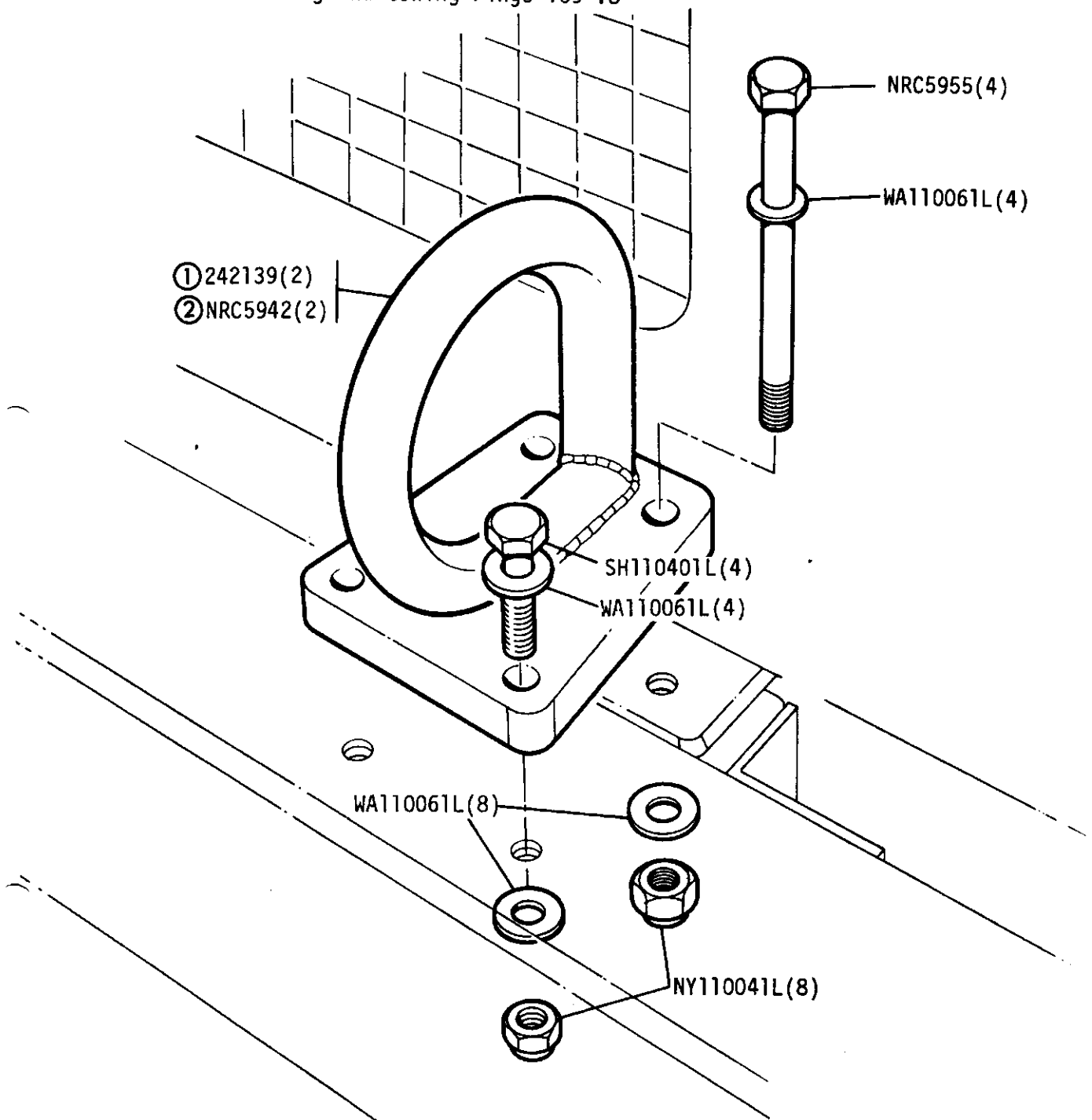


GROUP L
BODY - Seat Base



- | | |
|--|--|
| ① For redundant holes in rear stiffener | ⑧ Required when extra fuel tank is fitted. |
| ② 109in Station Wagon | |
| ③ Except 109 V8 | |
| ④ 109 V8 | |
| ⑤ Up to August 1982 | |
| ⑥ EEC vehicles from September 1982 | |
| ⑦ Non - EEC vehicles from September 1982 | |
-
- | | |
|--------|---|
| | Seat base assy (without LH side locker) - MRC7174 |
| | Battery base - MRC7175 |
| 109 V8 | Seal - battery compartment - MRC9477 |
| | Locating angle - MRC8135 |

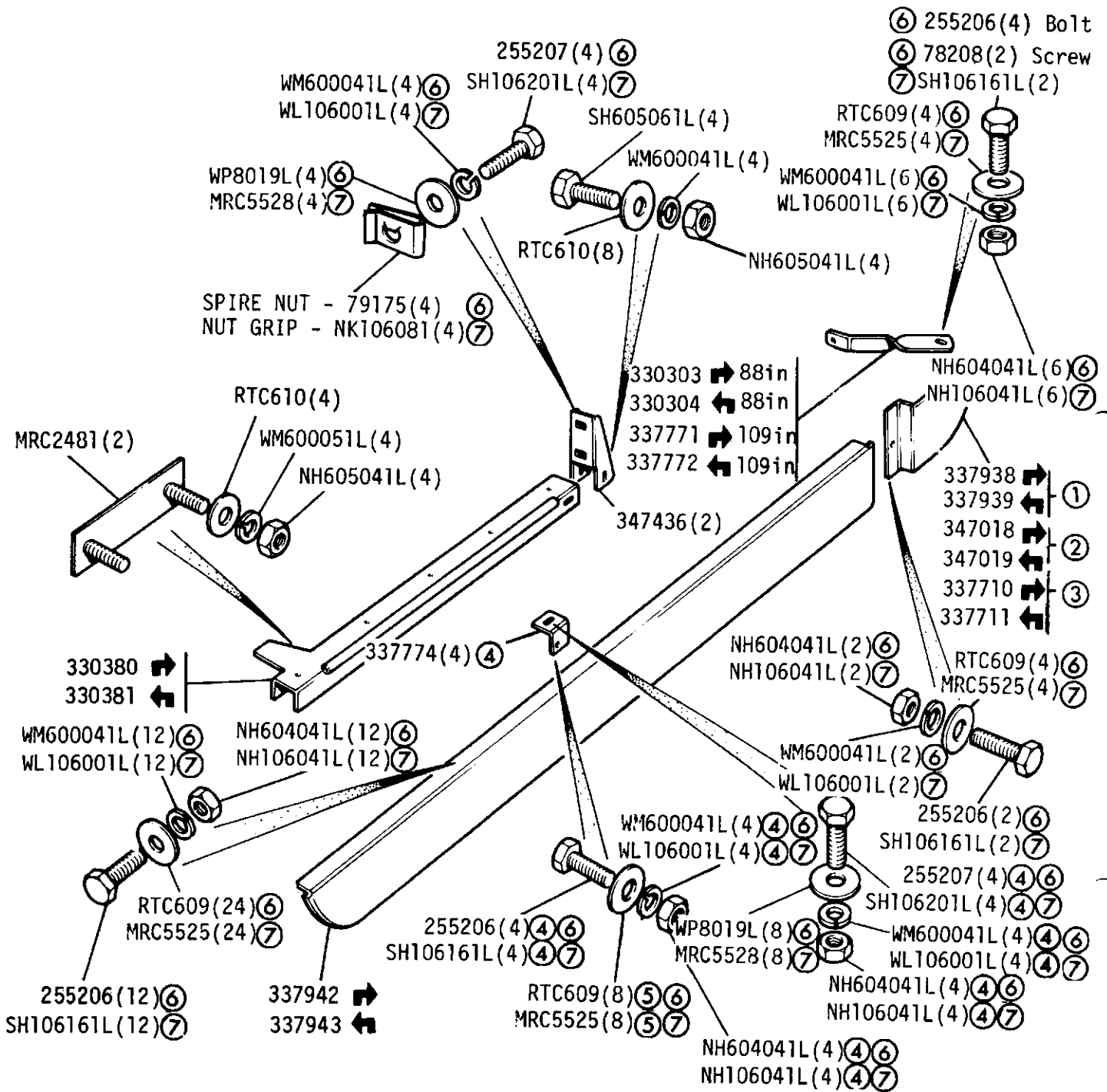
GROUP L
CHASSIS - Front lifting and towing rings 109 V8



① Up to May 1980
② From June 1980 Onwards

LAND ROVER 2G 12 T55291

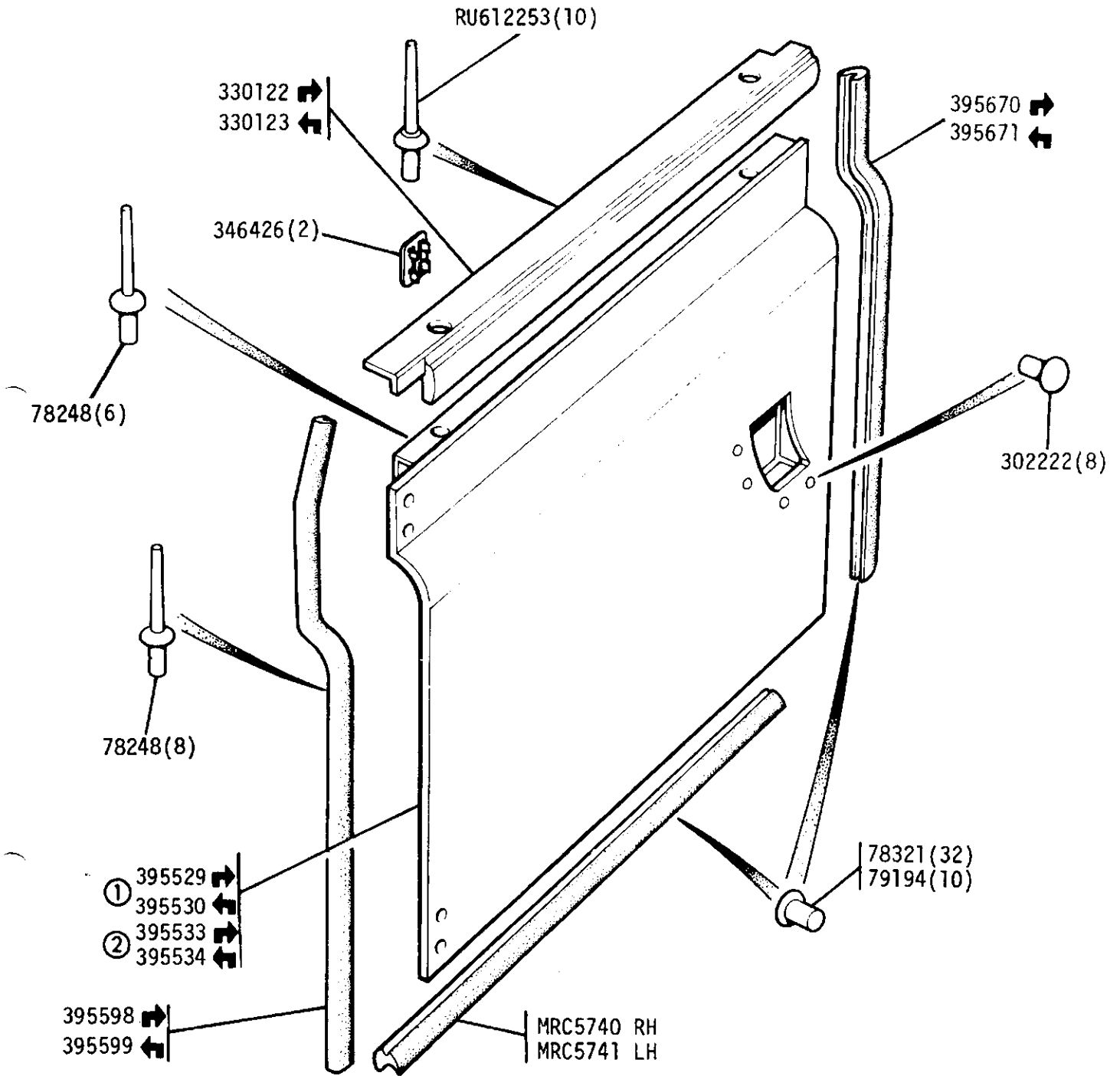
GROUP L
BODY - Sill Panels



①	88in
②	109in
③	109in Station Wagon
④	6 off on 109in Station Wagon
⑤	12 off on 109in Station Wagon
⑥	UNF
⑦	METRIC

LAND ROVER 2G 13 2RE 88

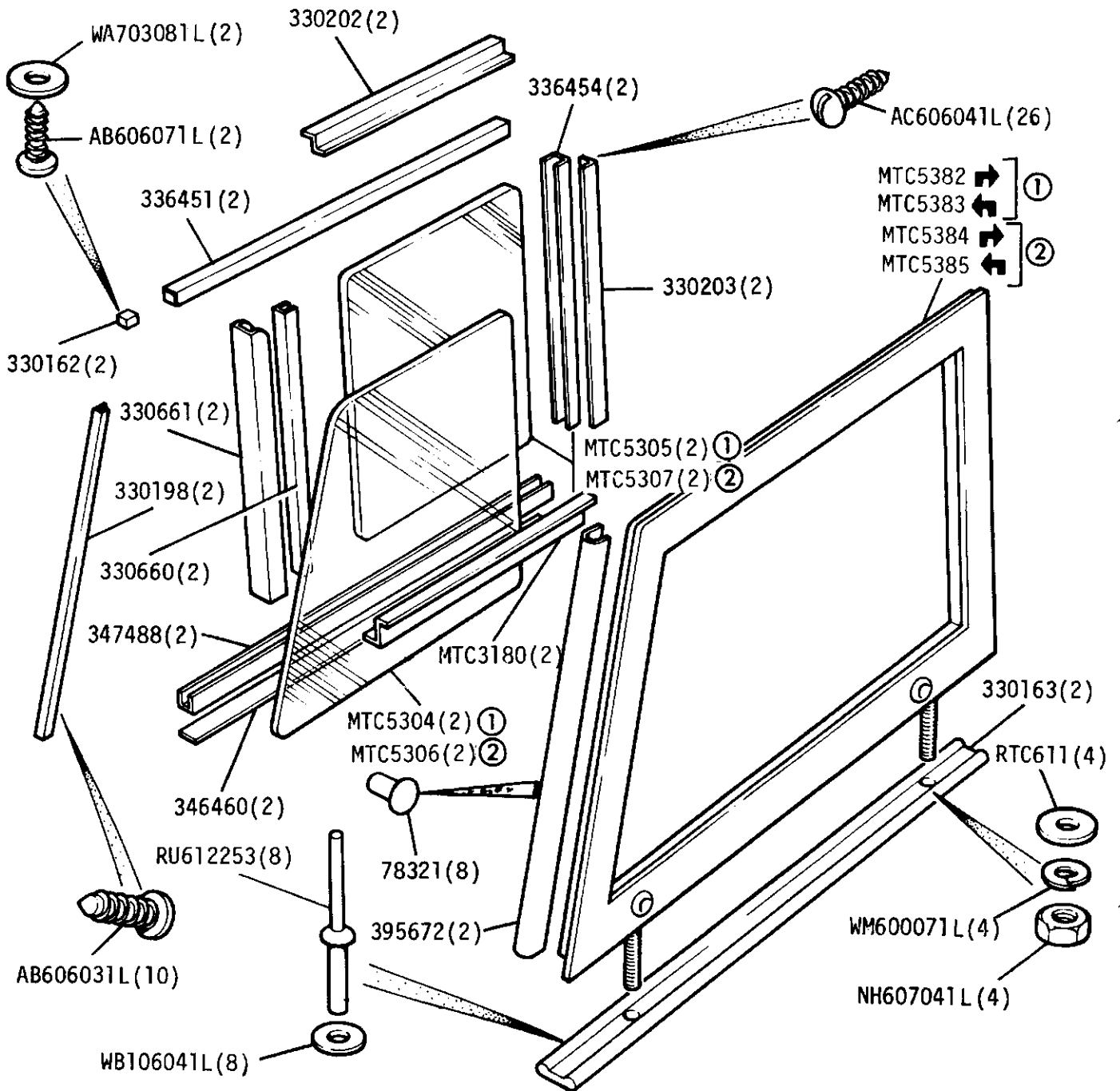
GROUP L
BODY - Front Door



- ① EXCEPT 109 V8
- ② 109 V8

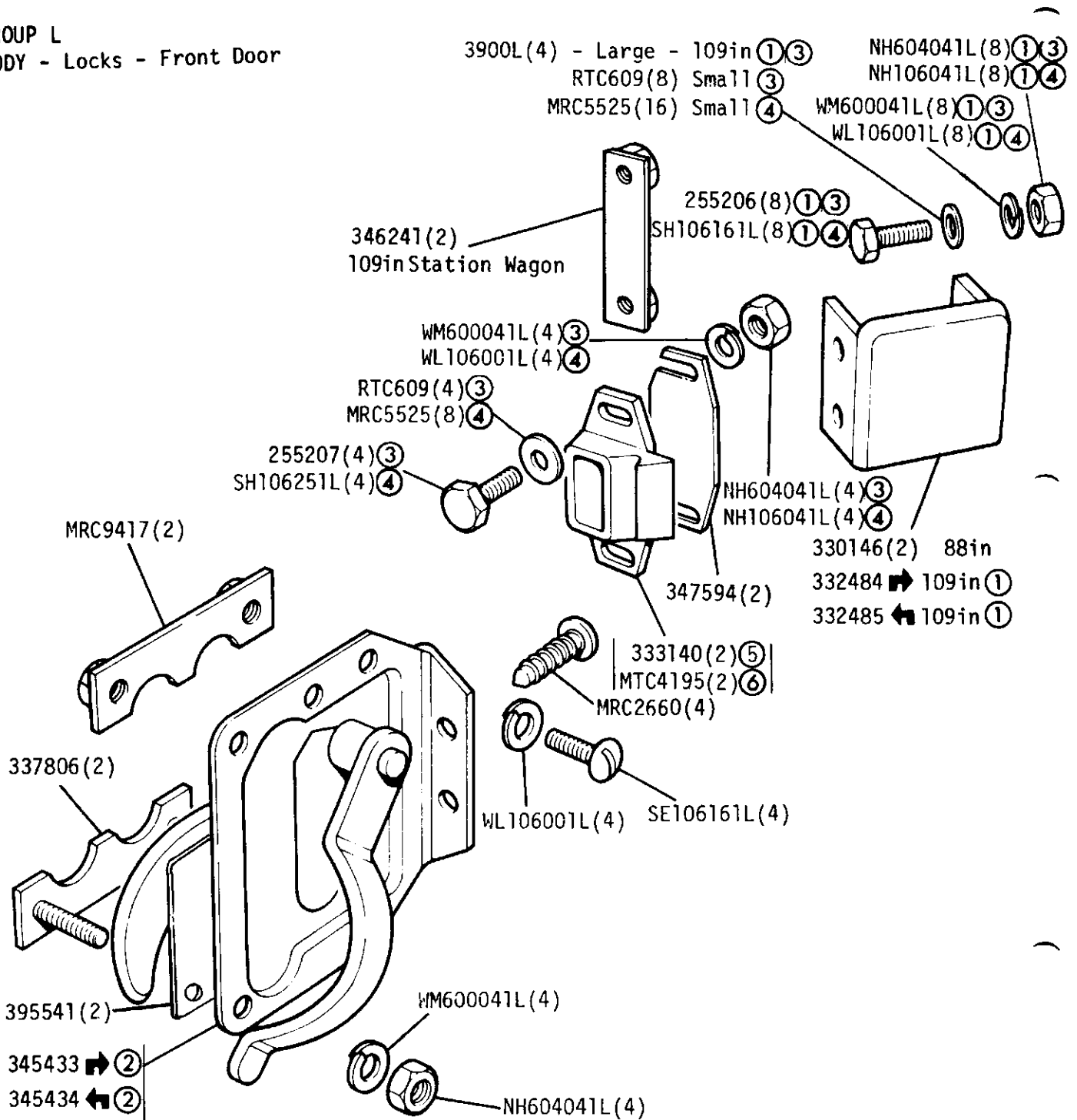
ONE PIECE DOOR SEALS RH MTC4112
LH MTC4113

GROUP L
 BODY - Windows, Channels and Side Screens - Front Door



- ① Clear glass
- ② Sundym glass

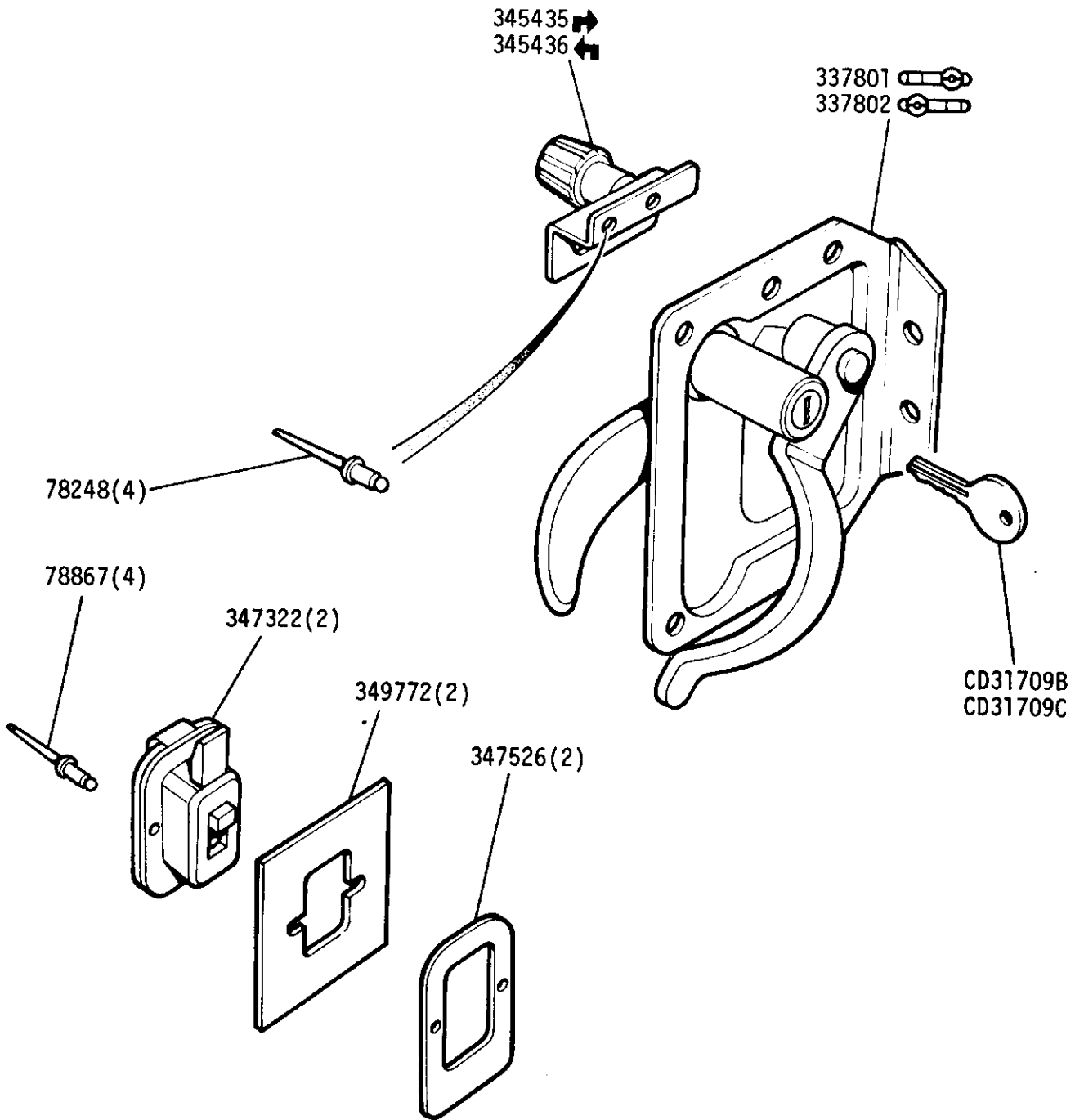
GROUP L
BODY - Locks - Front Door



- ① Not required for 109in Station Wagon
- ② Alternative to key operated locks on adjacent frame
- ③ UNF
- ④ METRIC
- ⑤ Upto November 1981
- ⑥ From December 1981

GROUP L

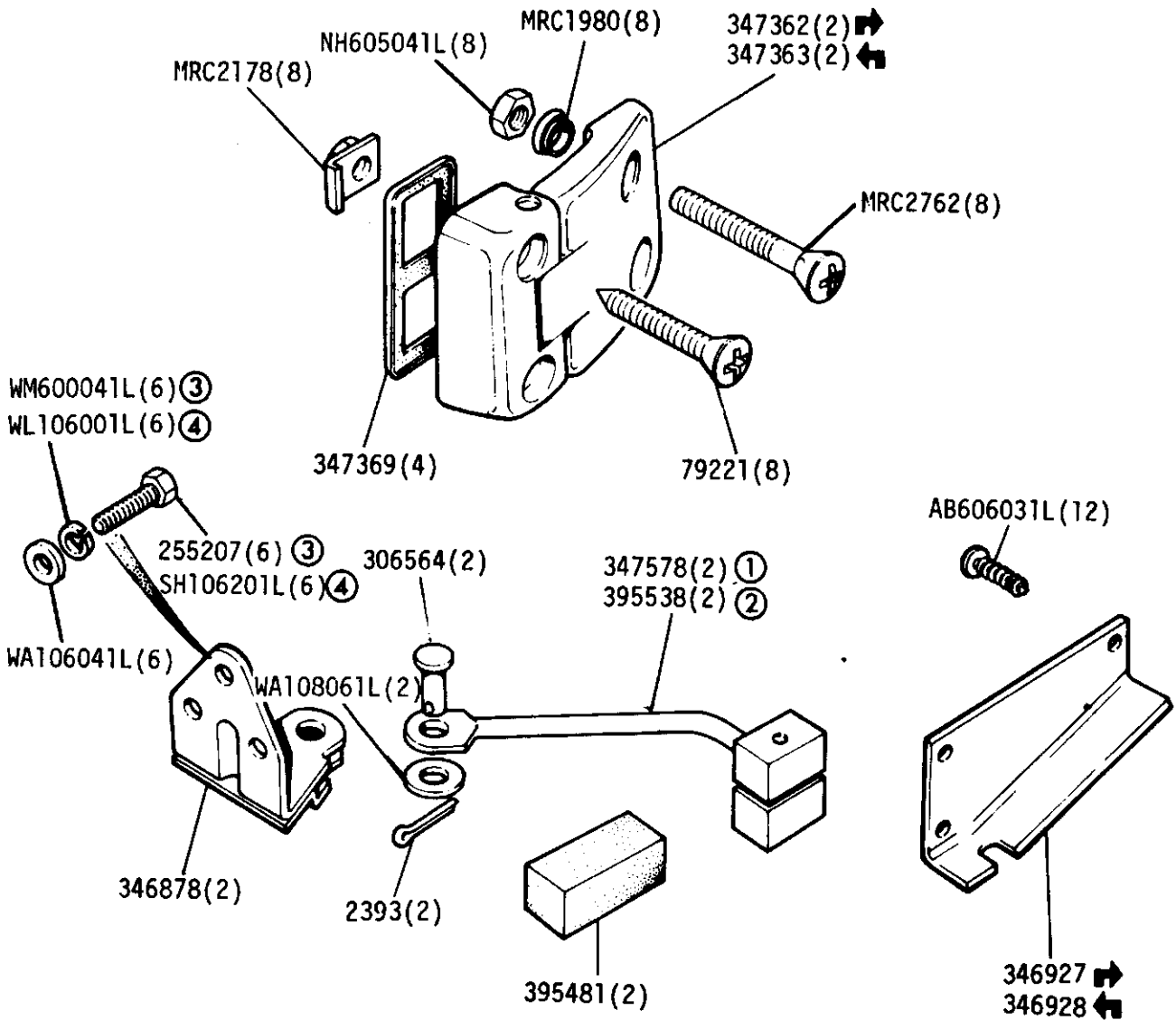
BQDY - Private locks and sliding window catch front doors



Alternative to locks on adjacent frame

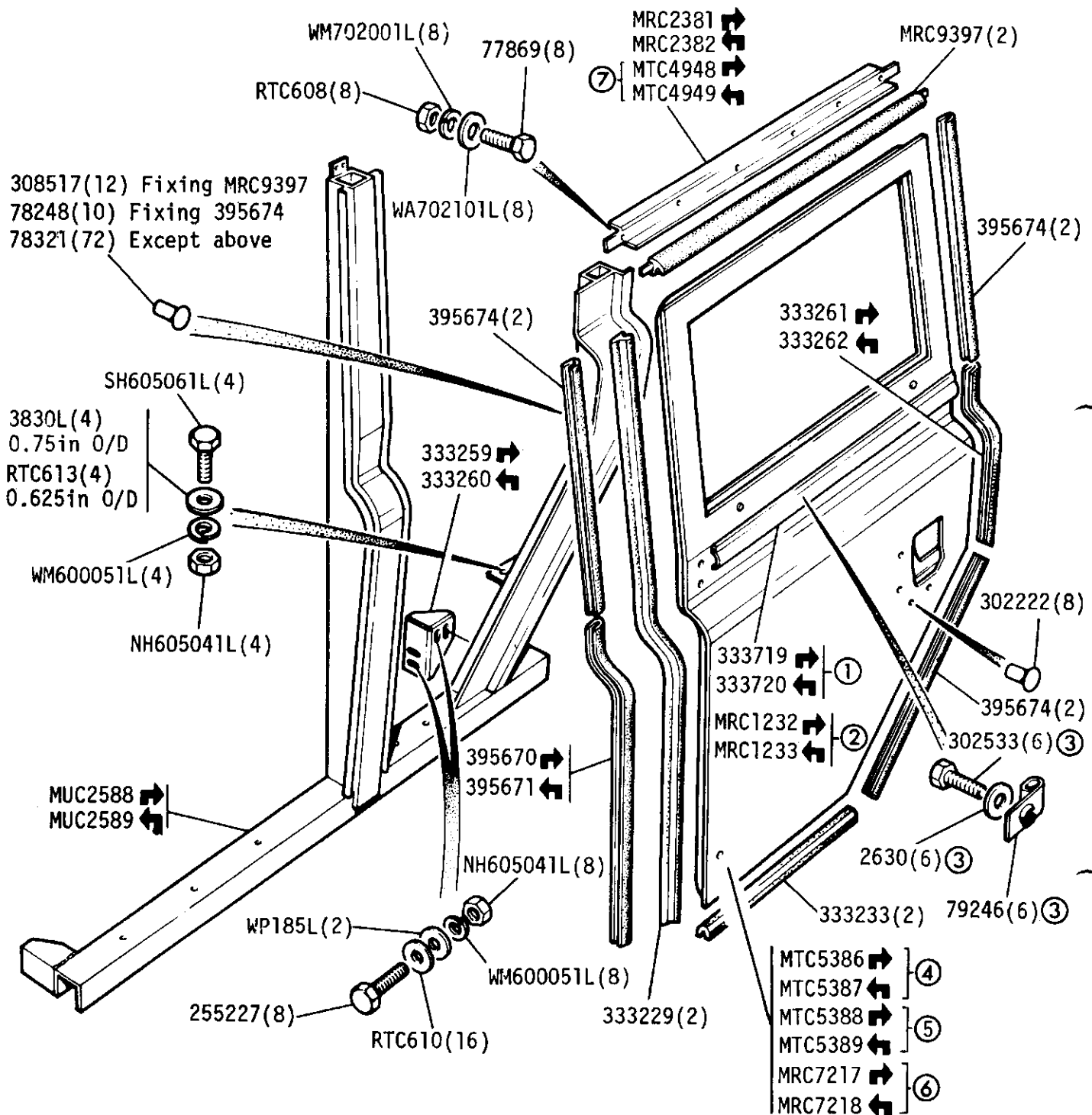
Seal, window catch - MTC3118(2)

GROUP L
 BODY - Hinges and Straps - Front door



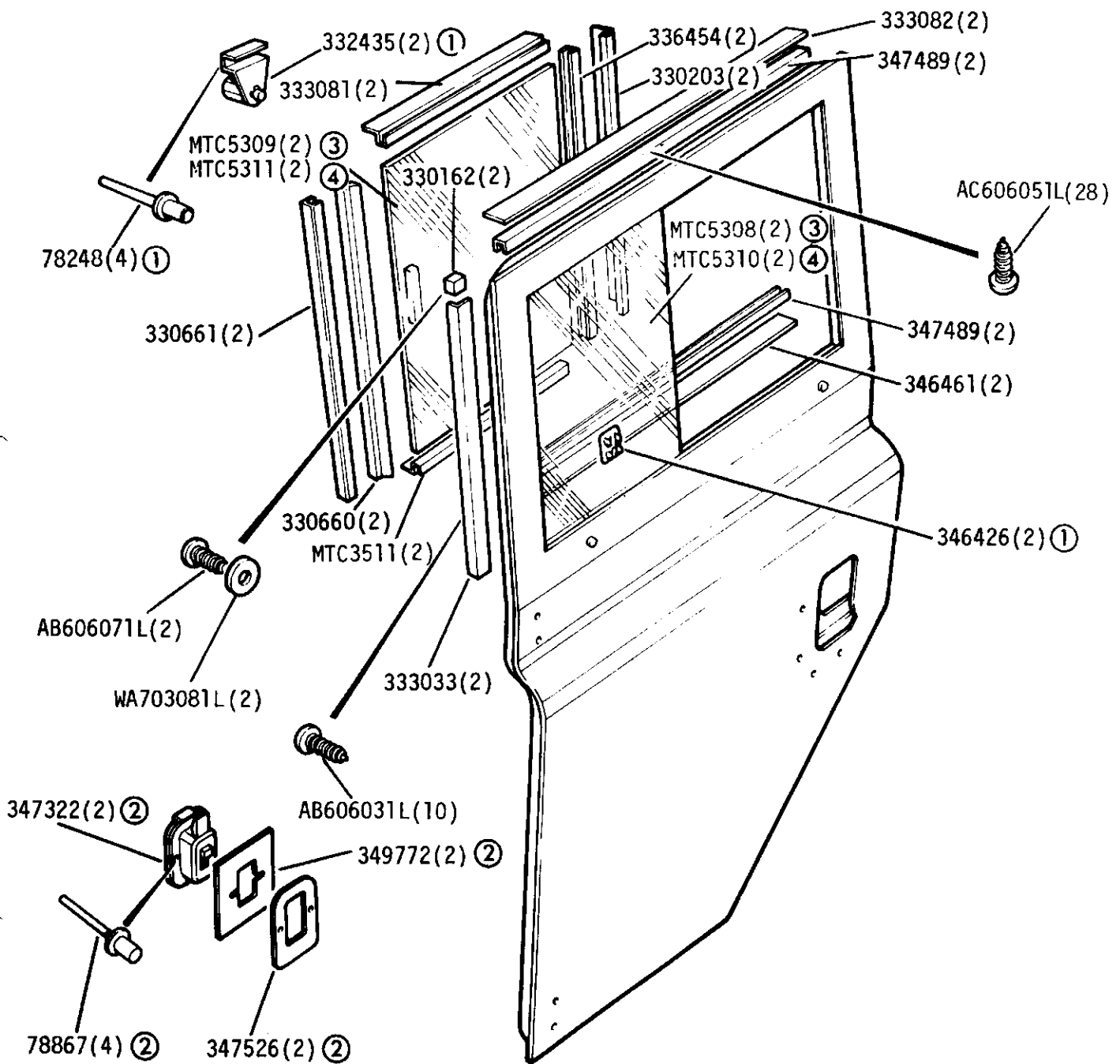
- ① Up to 19th September 1972
- ② From 20th September 1972 onwards
- ③ UNF
- ④ METRIC

GROUP L
BODY - Rear Side Door and Frame - 109in Station Wagon



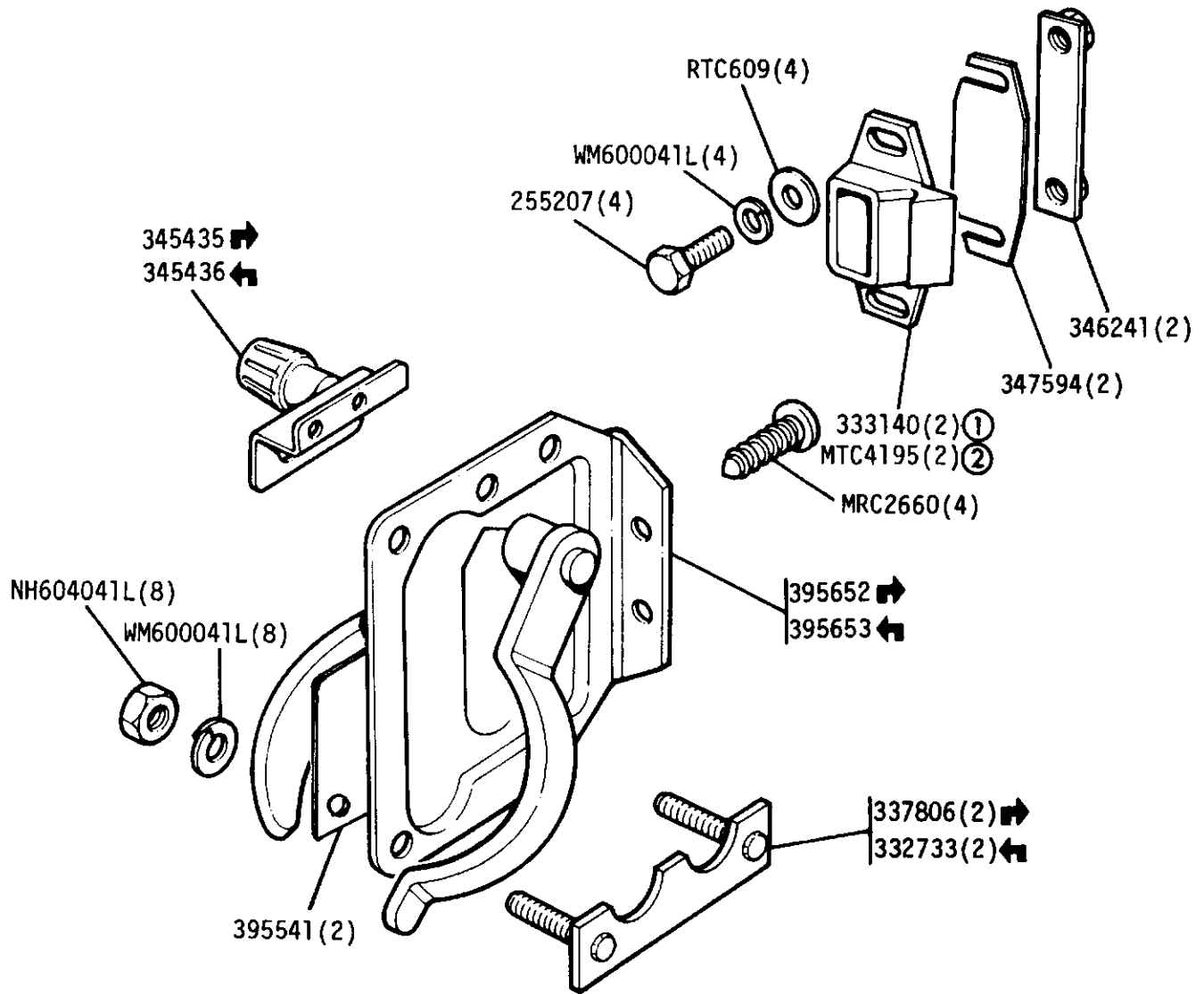
- ① Mouldings with 4 fixing points
 - ② Moulding with 3 fixing points
 - ③ 6 off required with 3 fixing point mouldings
 - ④ Except 109 V8
 - ⑤ 109 V8
 - ⑥ 109V8 'County' Station Wagon
 - ⑦ For One Piece door seals
- ONE PIECE DOOR SEALS MTC4114 MTC4115

GROUP L
 BODY - Sidescreen - Rear Side Door - 109in Station Wagon



- | | |
|-------------------------------|---------------------------------|
| ① Up to August 1972 | Seal, window catch - MTC3118(2) |
| ② From September 1972 onwards | |
| ③ Except 109 V8 SW | |
| ④ 109 V8 SW | |

GROUP L
 LOCKS - Rear Side Door - 109in Station Wagon

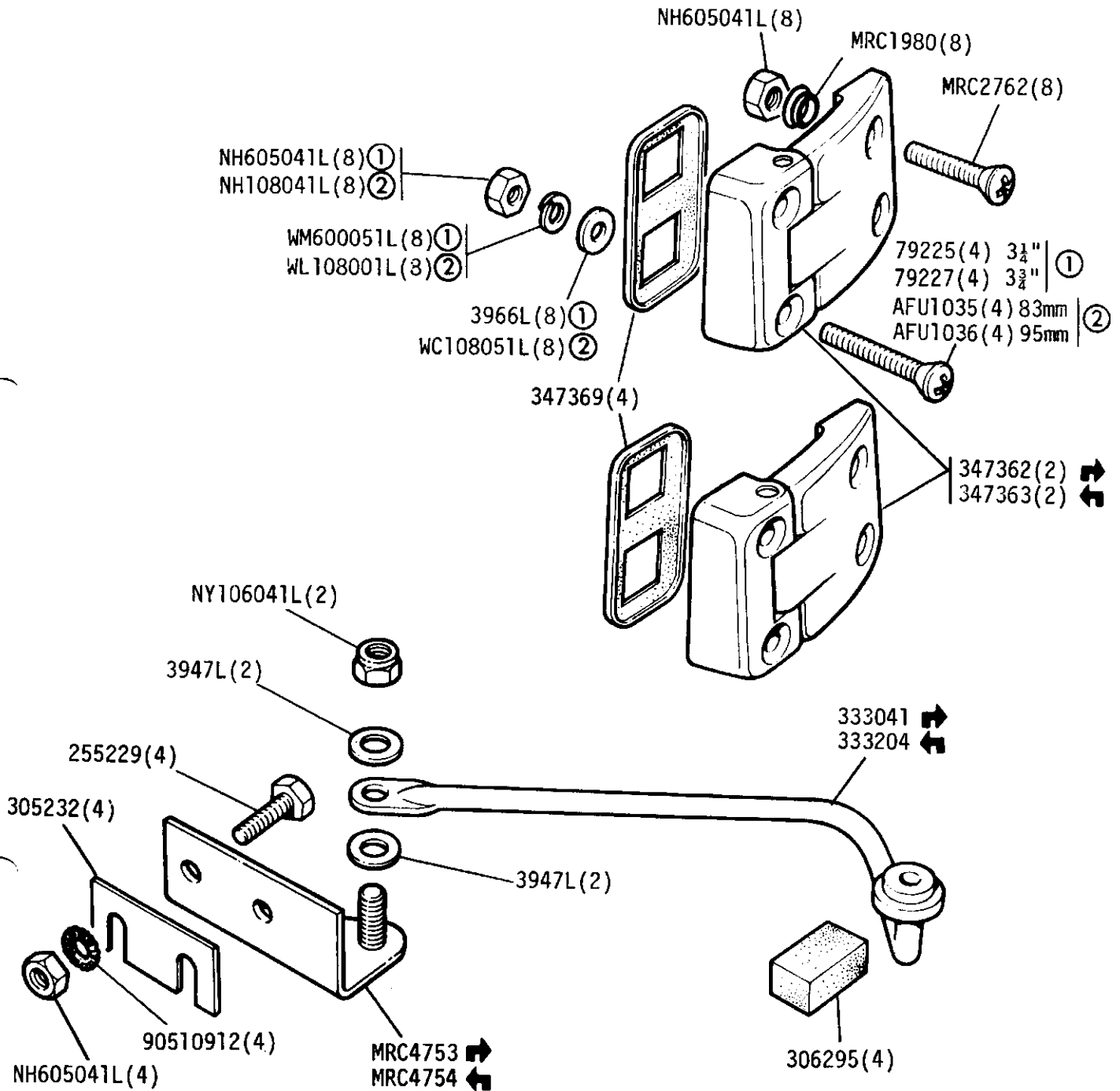


① Upto November 1981
 ② From December 1981

LAND ROVER 2G 18 2RE 244

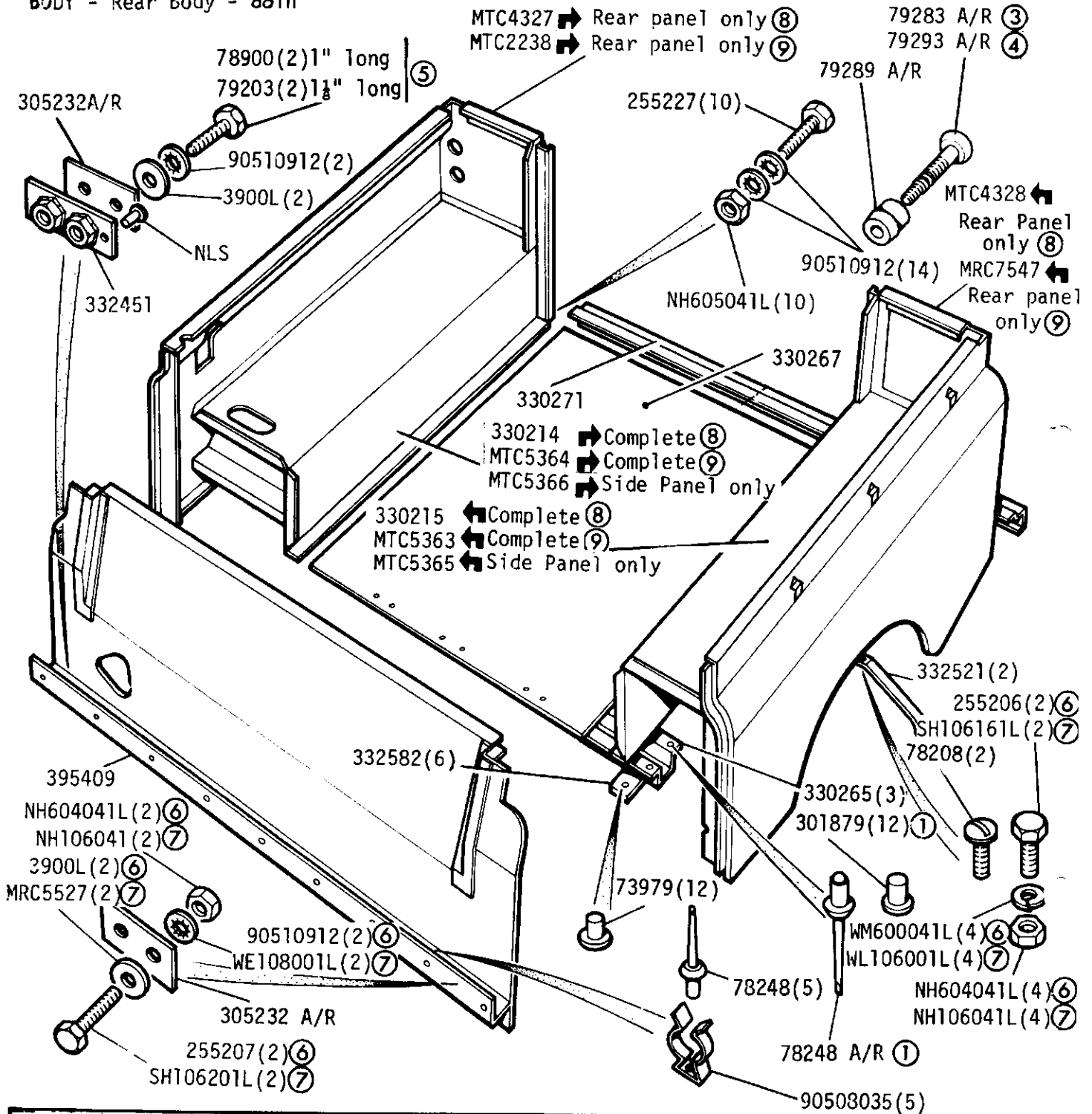
GROUP L

BODY - Hinges and Check Strap - Rear Side Doors - 109" Station Wagon



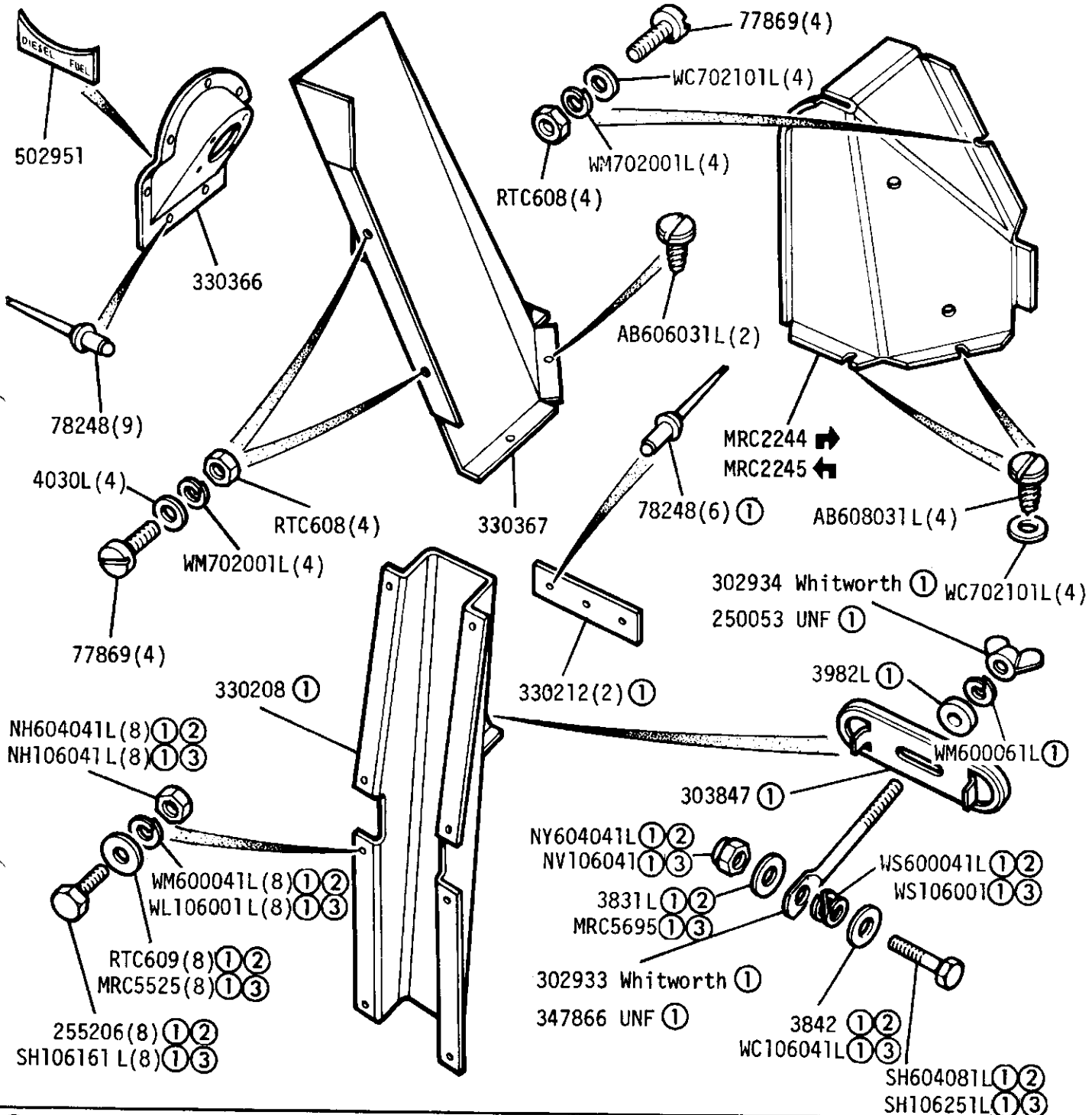
- ① UNF Fixings
- ② Metric Fixings

GROUP L
BODY - Rear Body - 88in



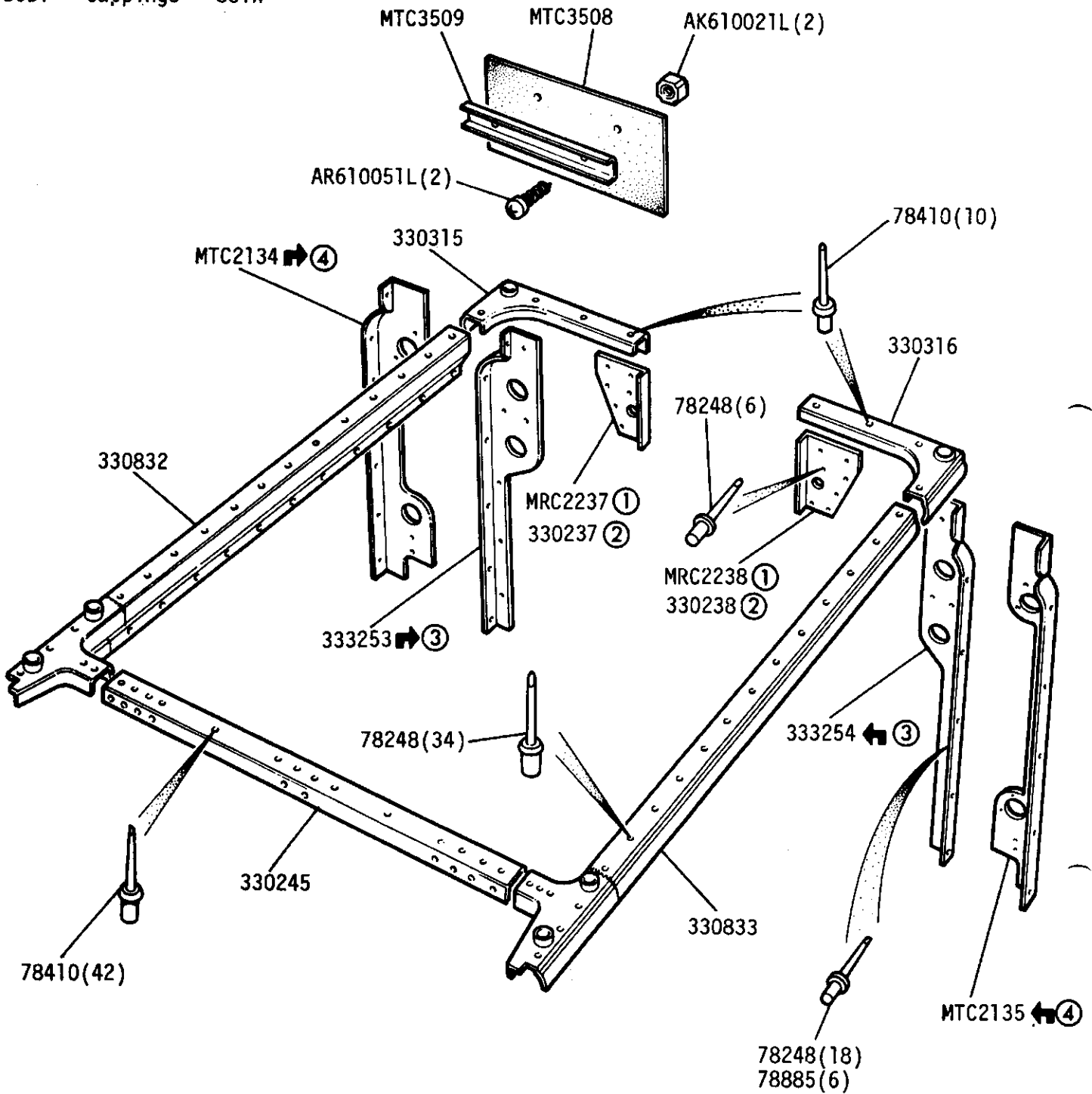
- | | |
|--|------------------------------------|
| Rear Body complete assembly 320863 (8) MTC5360 (9) | (8) Original tail lamp arrangement |
| (1) Rivets fitted up to July 1973 | (9) Modified tail lamp arrangement |
| (2) Pins and Collars from August 1973 onwards | |
| (3) Dome head | |
| (4) Countersunk head | |
| (5) Alternatives | |
| (6) UNF | |
| (7) METRIC | |
- LAND ROVER 2H 02 3RE 32

GROUP L
 BODY - Cover Panels and Spare Wheel Clamp - Rear Body 88in



- | | |
|------------------------|---|
| ① Except Station Wagon | Clip, harness retention - PRC3537 |
| ② UNF | Plastic flange finisher,
harness protection - 570753 |
| ③ METRIC | Jack retaining bracket - 367030 |
| ④ Alternatives | Rivet - RU612183(2) |
| | Retention ring - 371144 |
| | Retention ring - NRC9101 |

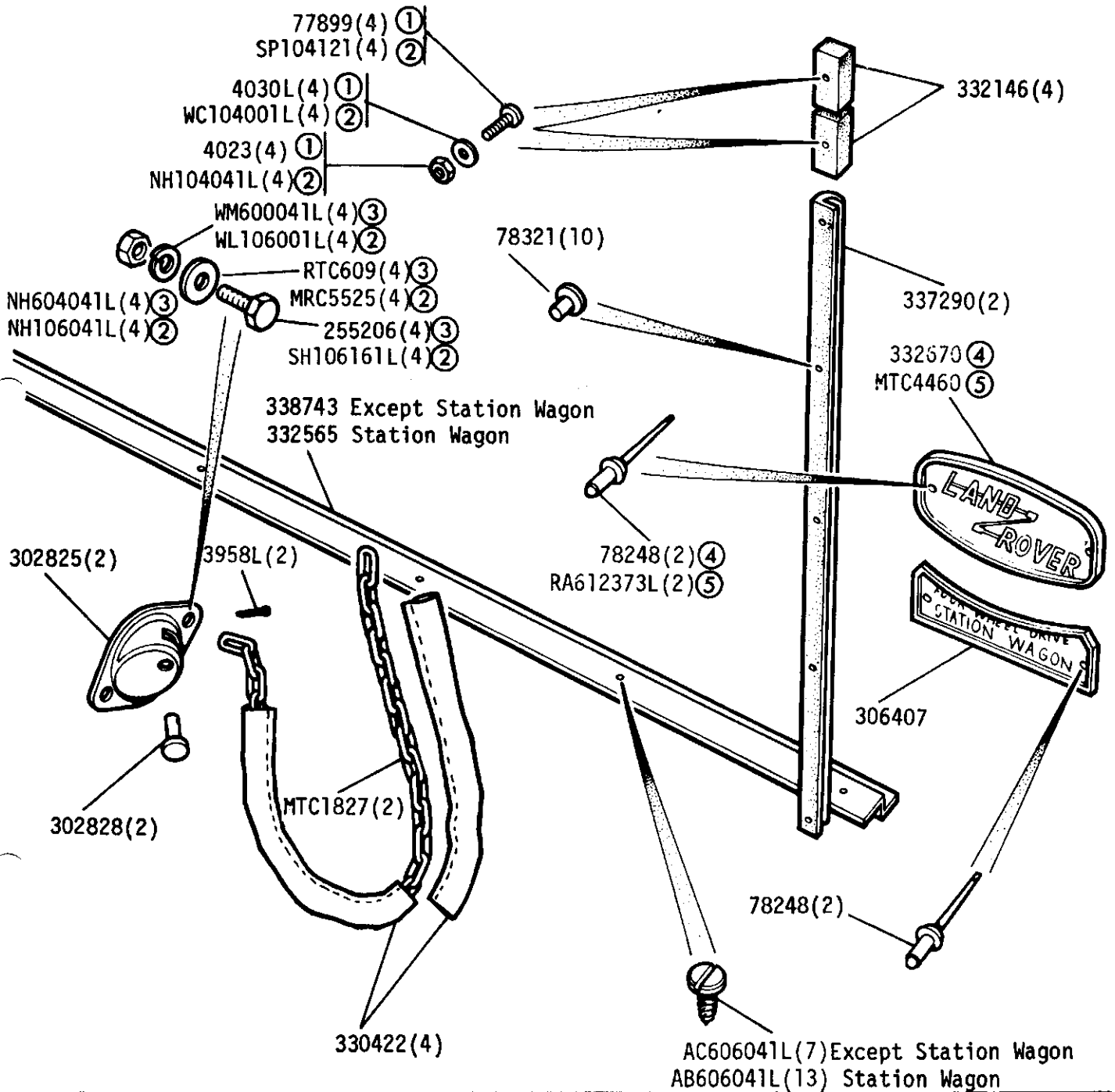
GROUP L
 BODY - Cappings - 88in



- ① Except Station Wagon
- ② Station Wagon
- ③ Original tail lamp arrangement
- ④ Modified tail lamp arrangement

GROUP L

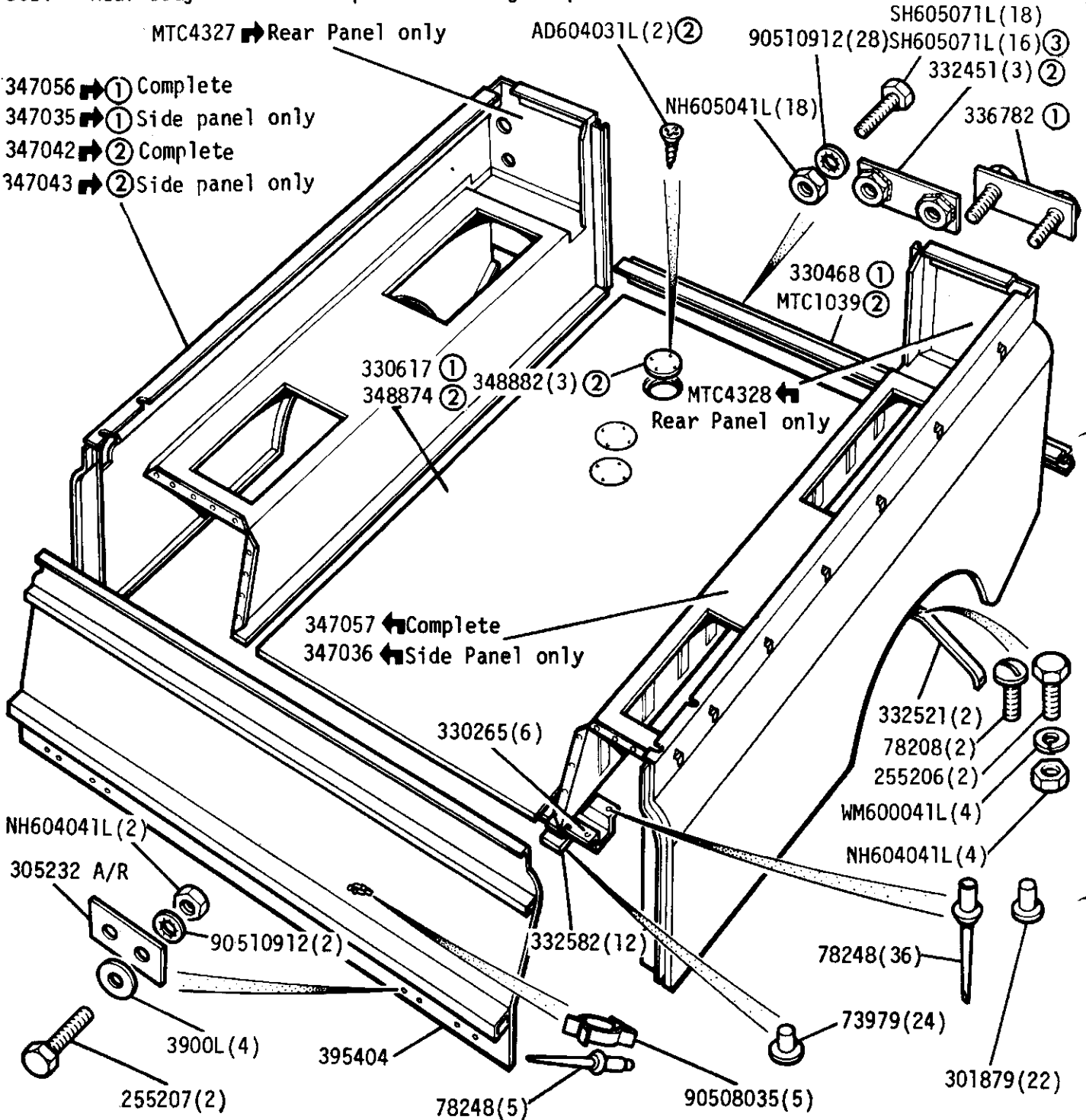
ROVER - Tailboard Fixings and Rear Name Plate - 88in



- | | |
|---|----------------|
| ① BA Fixings |) Alternatives |
| ② Metric Fixings | |
| ③ UNF Fixings |) |
| ④ Fitted upto SALLDHAH7AA186336 | |
| ⑤ Fitted from SALLDHAH7AA186337 onwards | |

GROUP L

BODY - Rear Body - 109in except Station Wagon up to vehicle suffix 'B' inclusive

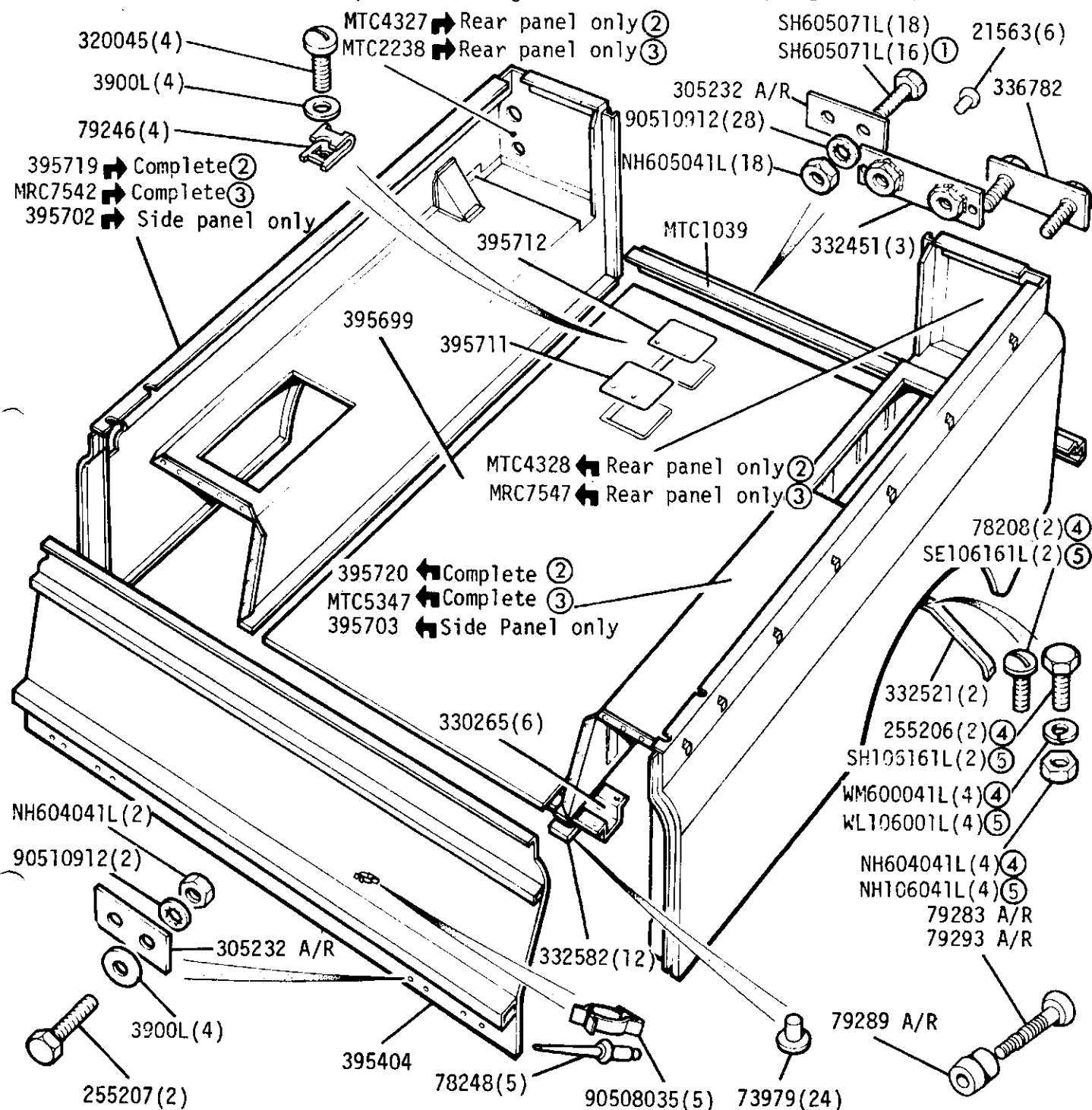


Rear body complete assembly 320861 4 Cylinder
 Rear body complete assembly MTC5343 6 Cylinder

- ① 4 Cylinder
- ② 6 Cylinder
- ③ Required when additional fuel tank is fitted

GROUP L

BODY - Rear Body - 109in except Station Wagon from vehicle suffix 'C' onwards

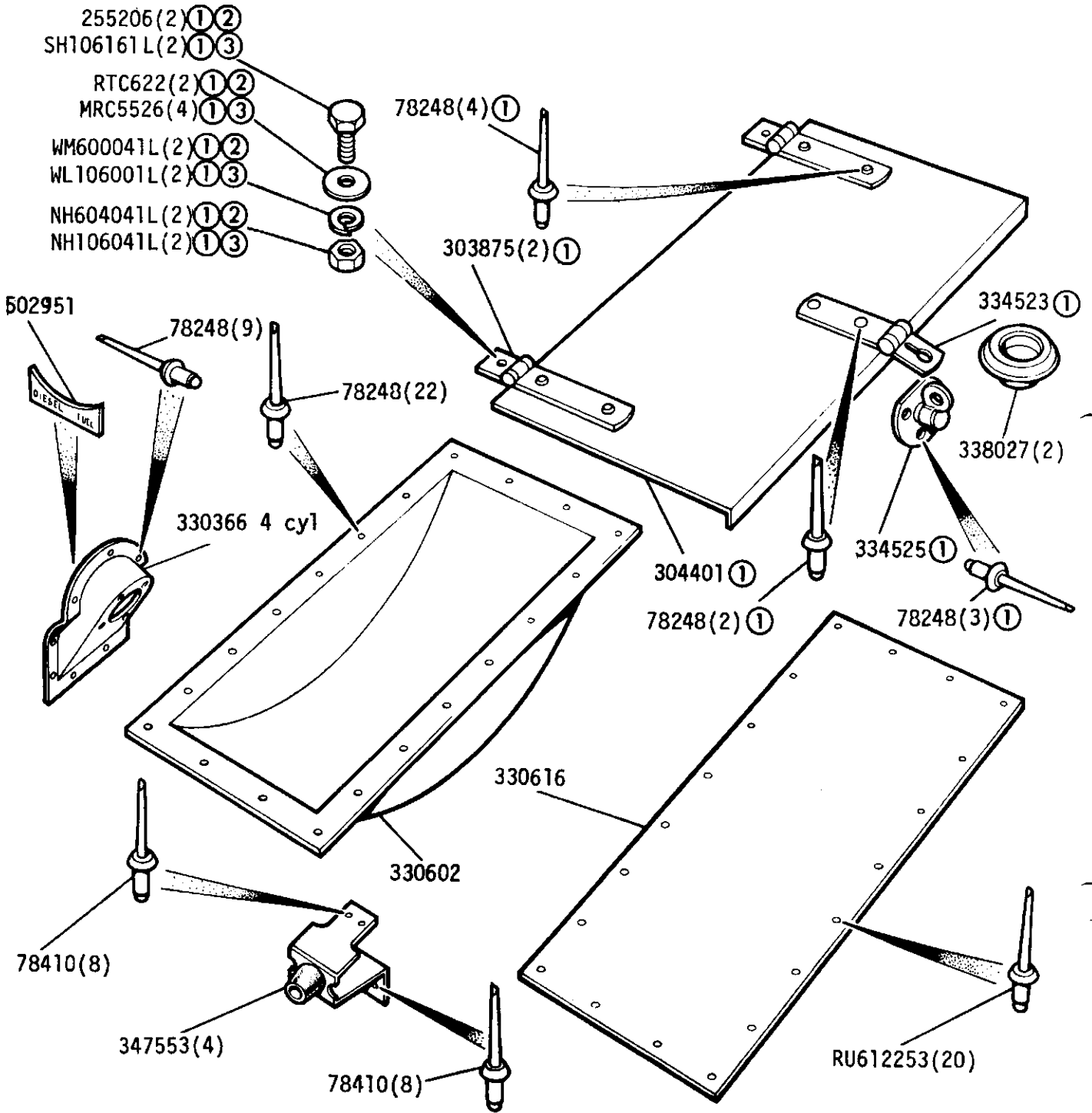


Rear body complete assembly MTC5343
 Badge, Land-Rover V8, body side (2) MRC7425 109 V8

- ① Required when additional fuel tank is fitted
- ② Original tail lamp arrangement
- ③ Modified tail lamp arrangement
- ④ UNF
- ⑤ METRIC

GROUP L

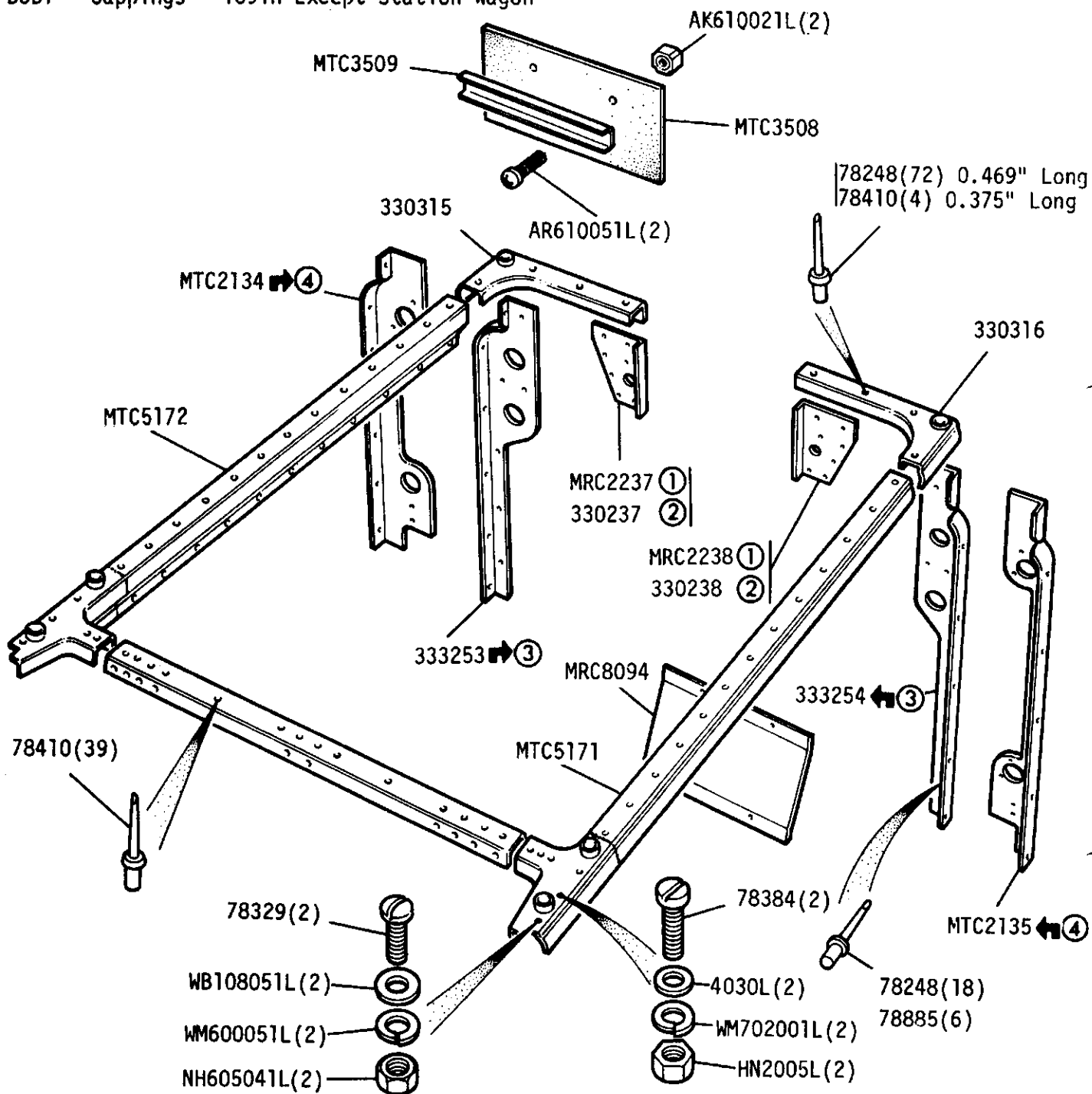
BODY - Cover Panels - Rear Body - 109in except Station Wagon



① Double quantities for 4 cylinder up to vehicle suffix 'B' inclusive	Clip, harness retention - PRC3537
② UNF	Plastic flange finisher, harness protection - 570753
③ METRIC	Jack retaining bracket - 367030
④ Alternatives	Rivet - RU612183(2)
	Retention ring - 371144 ④
	Retention ring - NRC9101 ④

LAND ROVER 2H 05 3RE 41

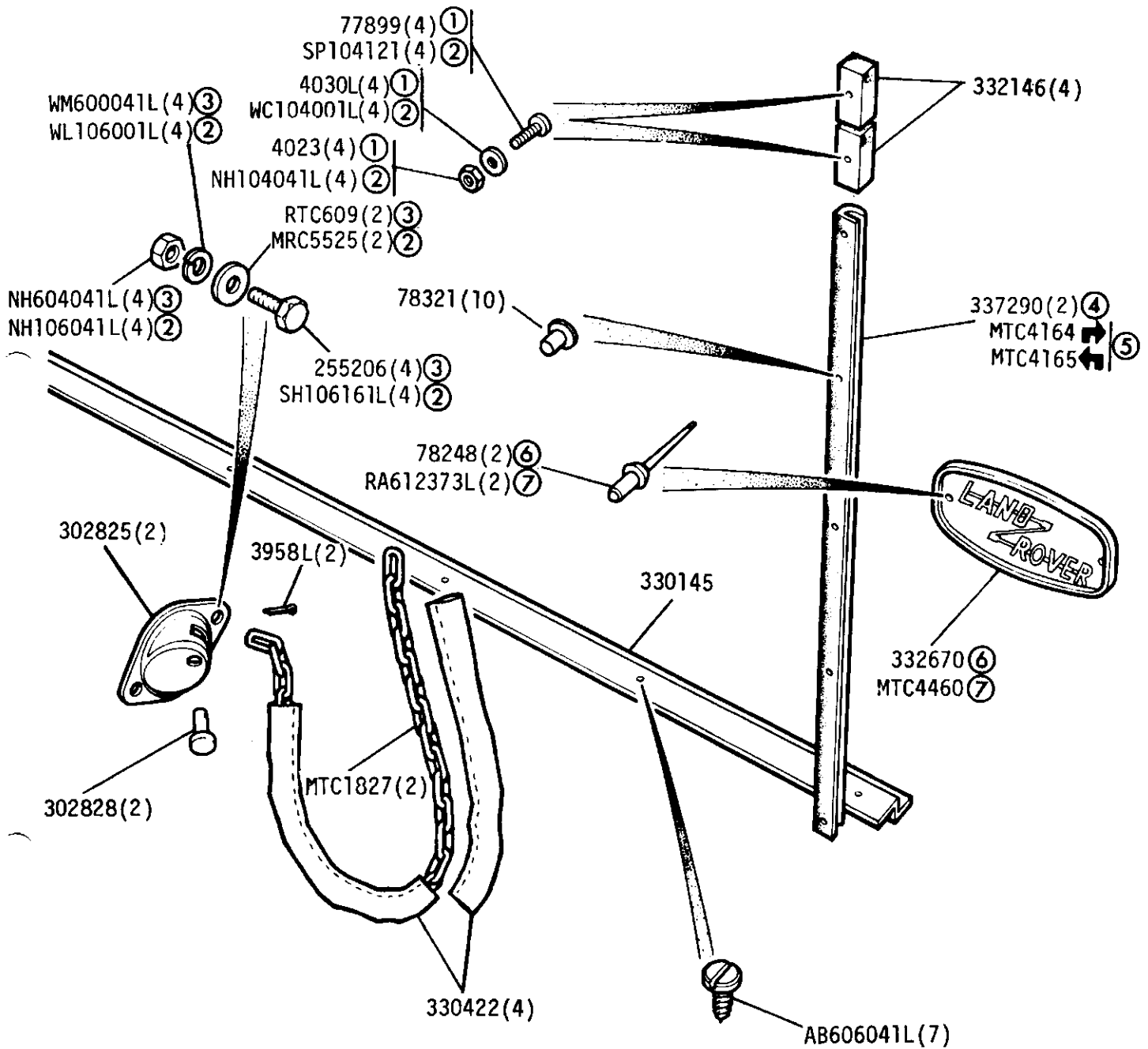
GROUP L
 BODY - Cappings - 109in Except Station Wagon



- ① Except hard top with rear door
 - ② Hard top with rear door
 - ③ Original tail lamp arrangement
 - ④ Modified tail lamp arrangement
- LAND ROVER 2H 06 155297

GROUP L

BODY - Tailboard Fixings and Rear Nameplate - 109in except Station Wagon



Badge 'V8' rear end panel MRC7537 109 V8

- ① BA Fixings
- ② Metric Fixings
- ③ UNF Fixings

} Alternatives

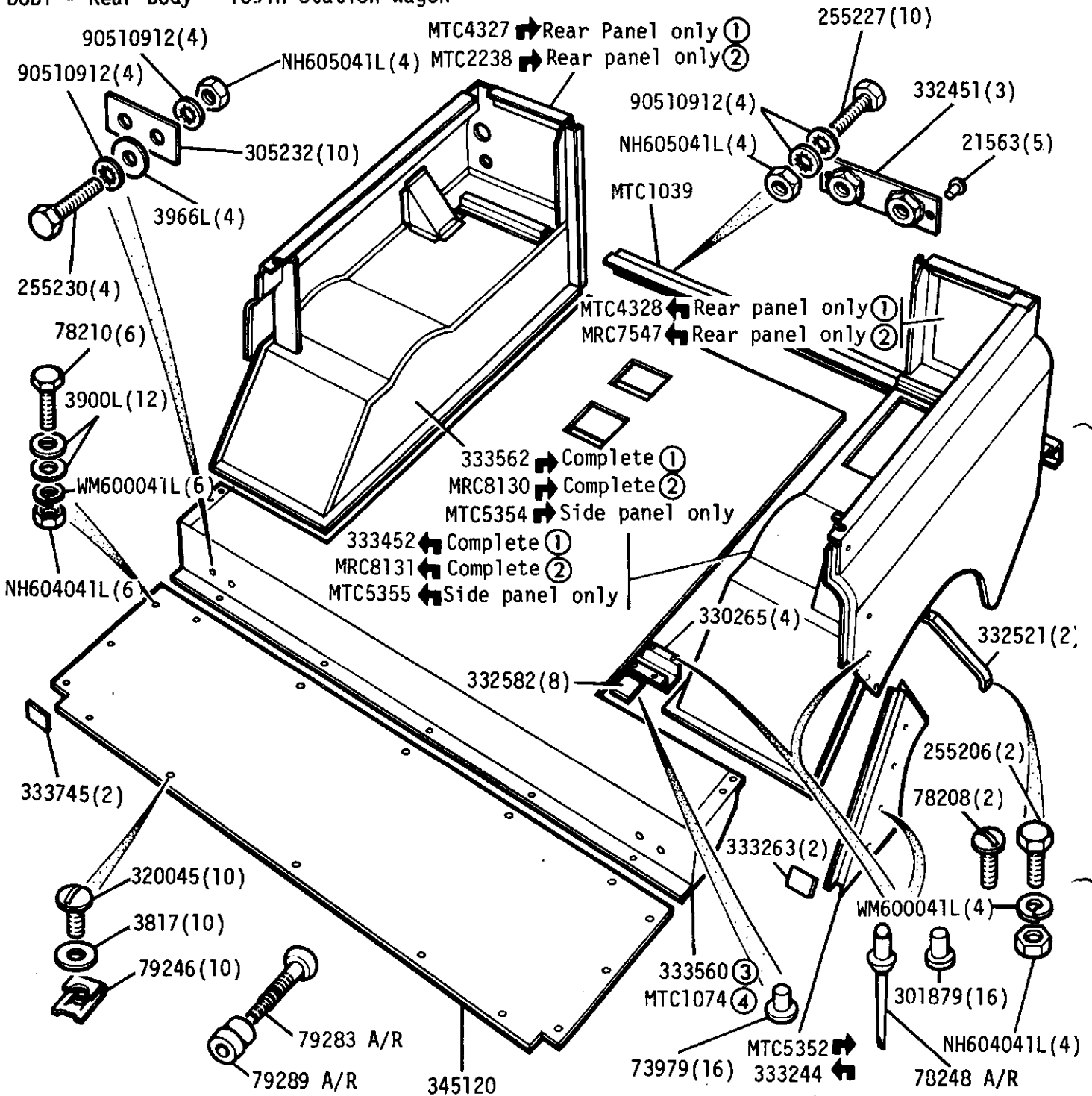
④ Upto December 1981

⑤ From January 1982 onwards

⑥ Fitted upto SALLDHAH7AA186336

⑦ Fitted from SALLDHAH7AA186337 onwards

GROUP L
 BODY - Rear Body - 109in Station Wagon

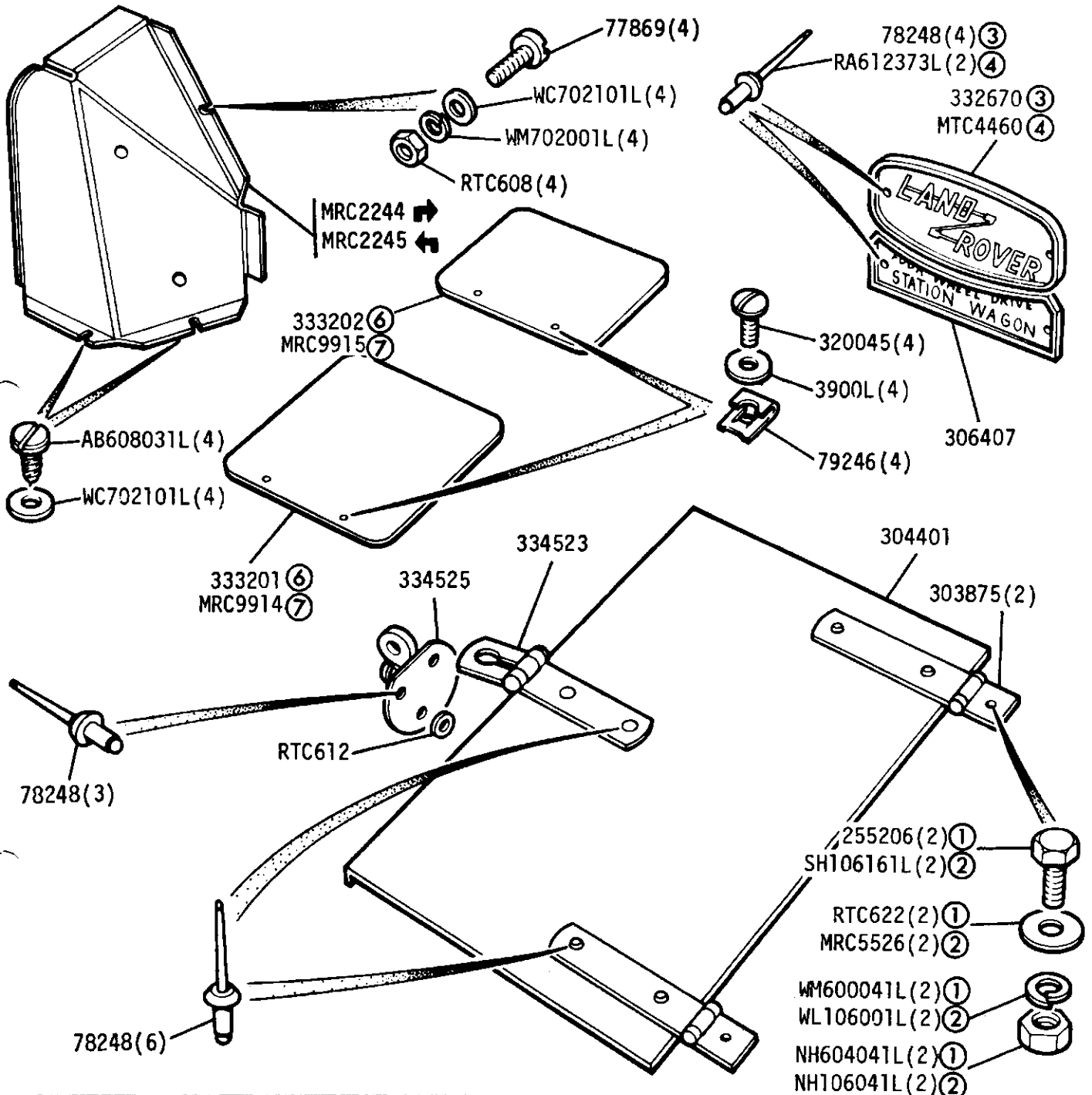


Rear body complete assembly 332983 ① MTC5359 ②
 Badge, Land Rover V8 body side MRC7425(2) 109 V8

- ① Original tail lamp arrangement
- ② Modified tail lamp arrangement
- ③ Upto January 1981
- ④ From February 1981 onwards

GROUP L

BODY - Cover Panels - Rear Body - 109in Station Wagon



- ① UNF
- ② METRIC
- ③ Fitted upto SALLDHAH7AA186336
- ④ Fitted from SALLDHAH7AA186337 onwards
- ⑤ Alternatives
- ⑥ Up To December 1982
- ⑦ From January 1983

Badge 'V8', rear end panel - MRC7537 (109 V8)

Clip, harness retention - PRC3537

Plastic flange finisher,
harness protection - 570753

Jack retaining bracket - 367030

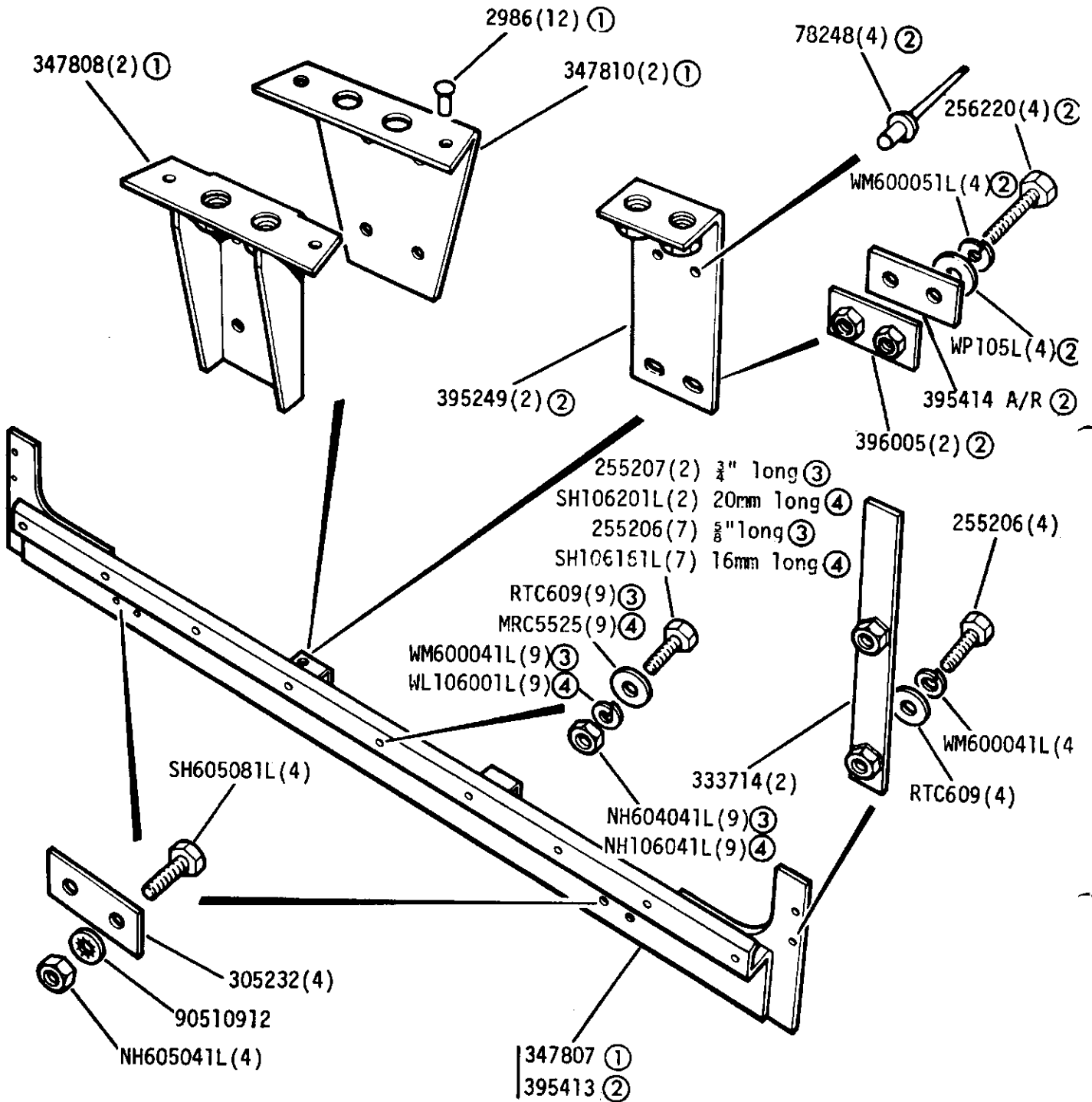
Rivet - RU612183(2)

Retention ring - 371144

Retention ring - NRC9101 ⑤

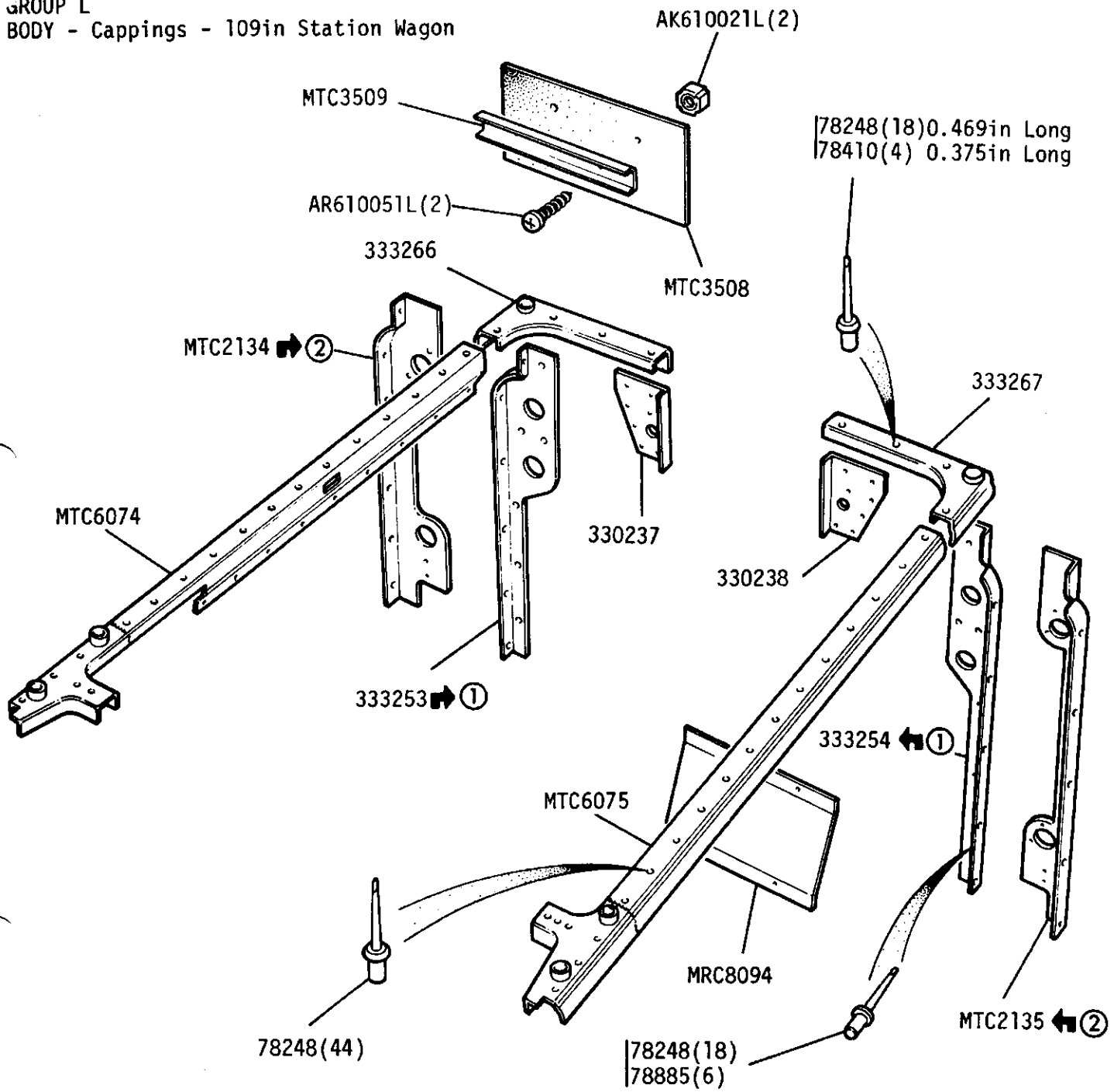
GROUP L

BODY - Toe Panel and Harness Brackets - 109 in Station Wagon



- ➔ ① Up to vehicle numbers 93100689, 93600336 and 94600372
- ➔ ② From vehicle numbers 93100690, 93600337 and 94600373 onwards
- ③ UNF
- ④ METRIC

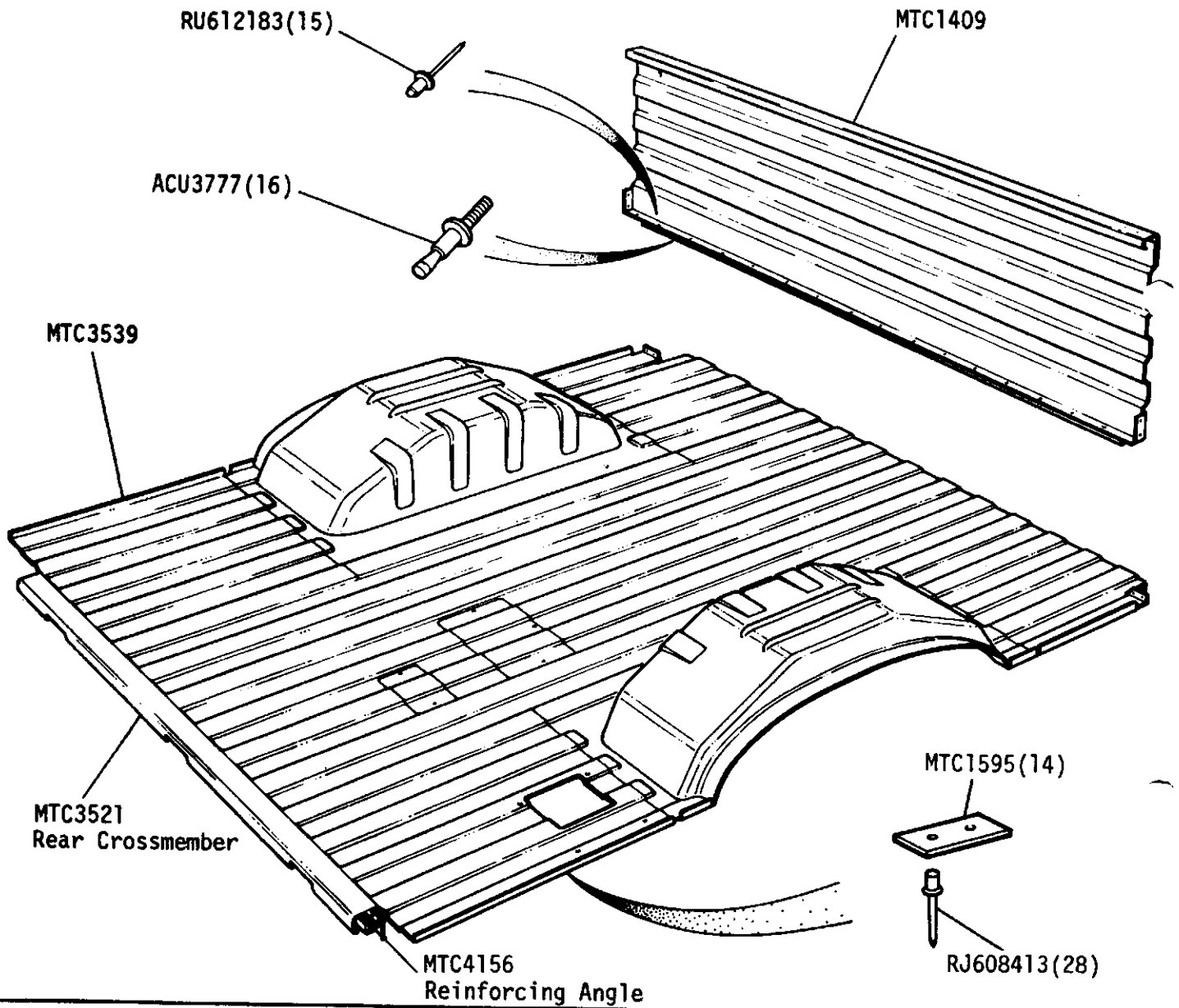
GROUP L
 BODY - Cappings - 109in Station Wagon



- ① Original tail lamp arrangement
- ② Modified tail lamp arrangement

GROUP L

BODY - Bulkhead & Floor H.C.P.U.

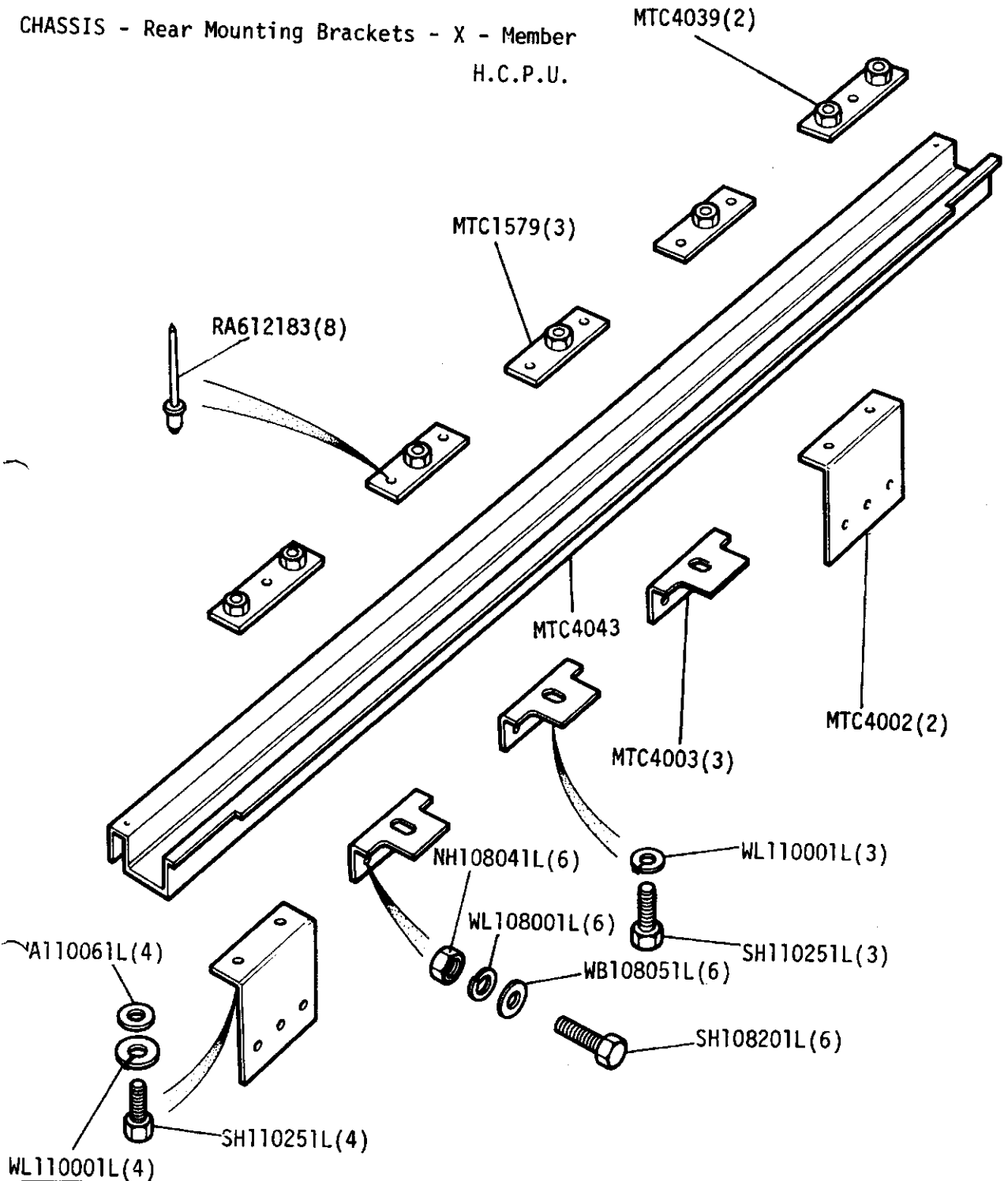


Rear body complete assembly - MTC3904

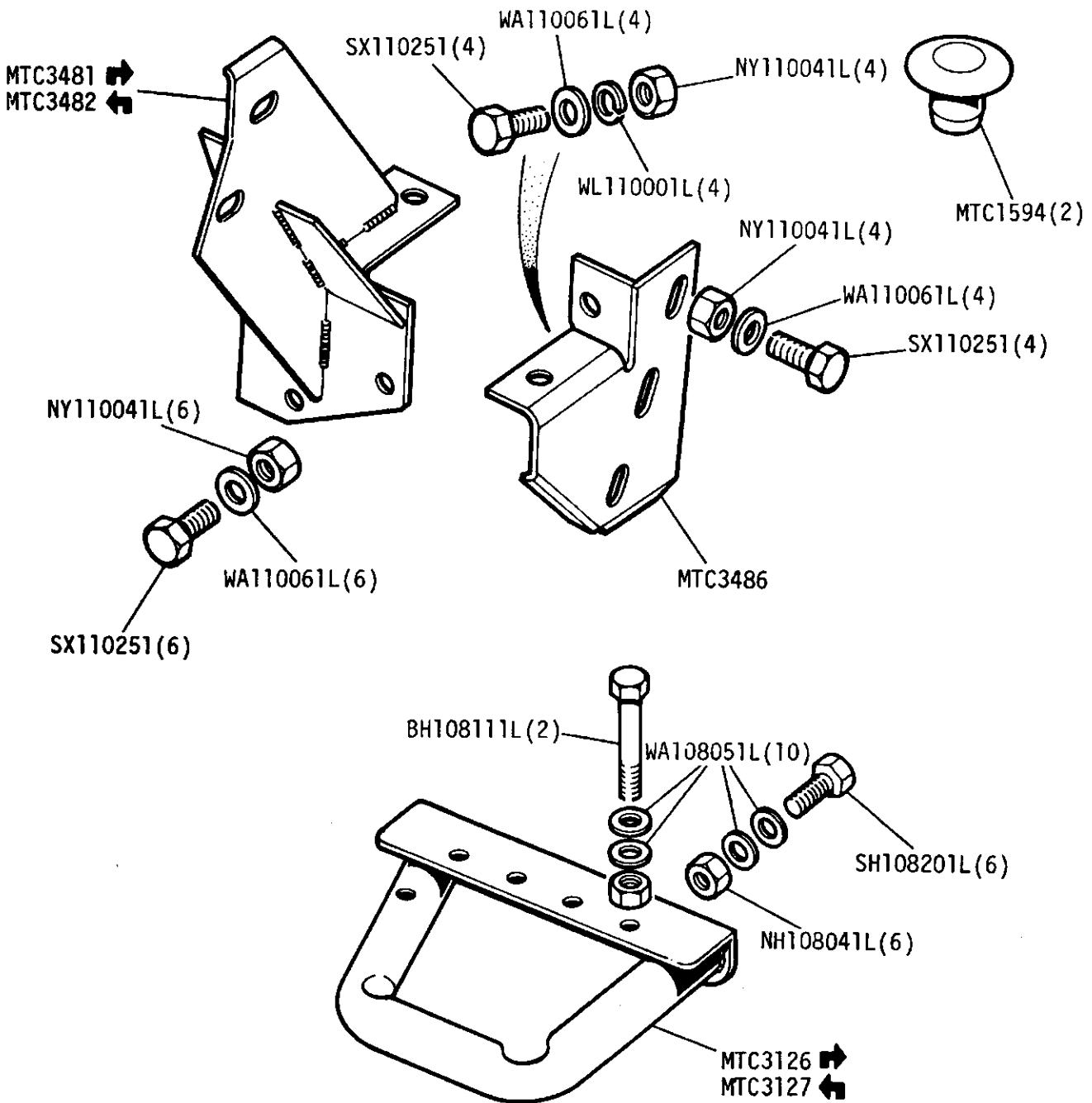
- Avdelok Bolt, rear crossmember - AAU6919(12)
- Collar, rear crossmember - AAU6774(12)
- Tee Bolt, rear crossmember - MTC3558(4)
- Plain Washer, rear crossmember - WA108051L(4)
- Nut, rear crossmember - NH108041L(4)
- Grommet, rear crossmember - 3H822L(2)

GROUP L

CHASSIS - Rear Mounting Brackets - X - Member
H.C.P.U.



GROUP L
 CHASSIS - Front and Rear Body Anchor and Rear Bumper Stops H.C.P.U.



GROUP L
 BODY - Bodysides - H.C.P.U.

MTC5038 →
 MTC5039 ←

AAU6774(20)

MTC1479(2)

MTC1481 →
 MTC1482 ←

AAU6920(4)

AAU6774(4)

ACU1762(4)

ACU3530(20)
 AAU6774(12)

ACU1161(12)

MTC3906

ACU1762(6)
 MTC3907

ACU2063(2)

AAU6774(2)

AFU1841(2)

RU612183(4)

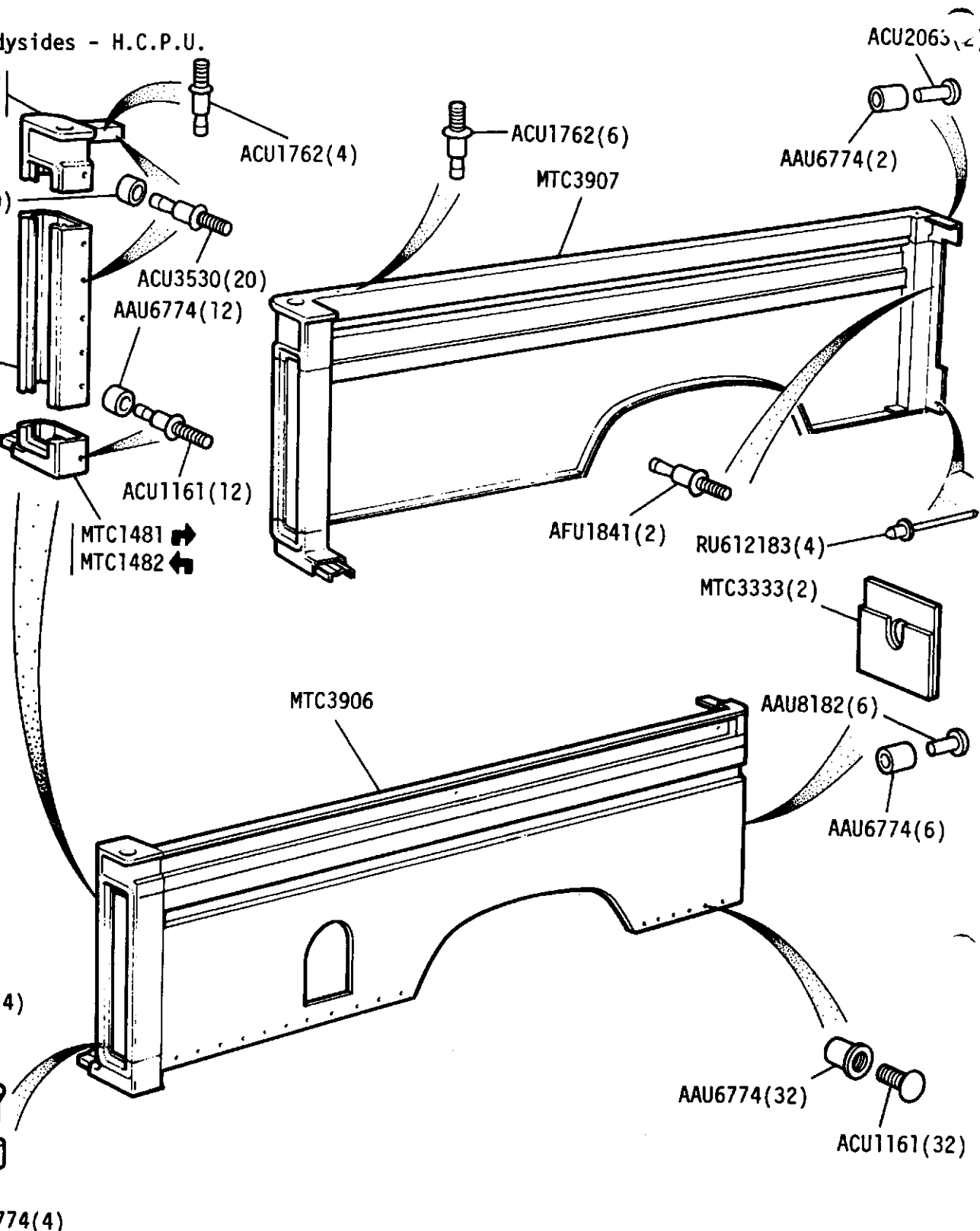
MTC3333(2)

AAU8182(6)

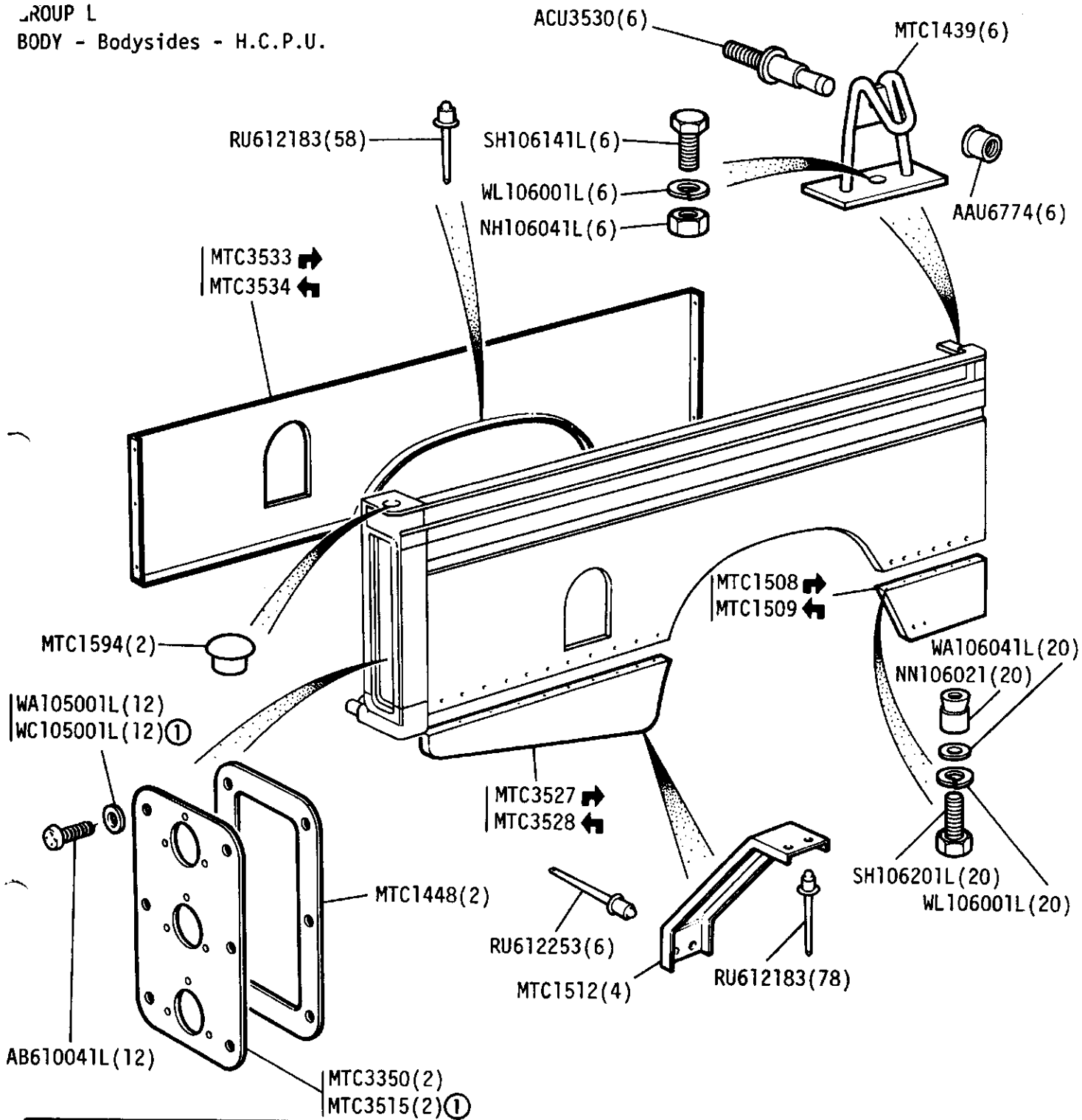
AAU6774(6)

AAU6774(32)

ACU1161(32)

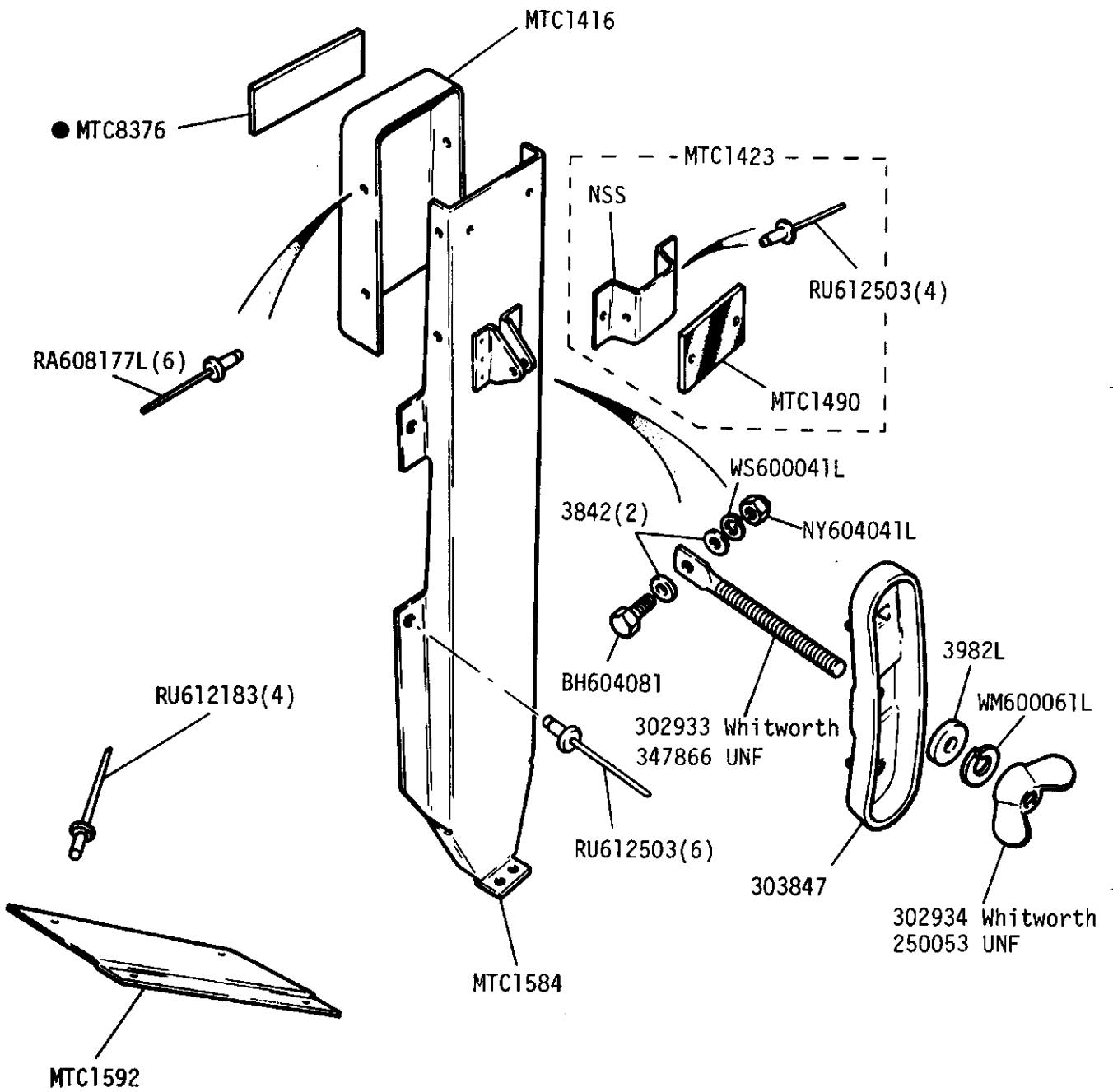


GROUP L
BODY - Bodysides - H.C.P.U.



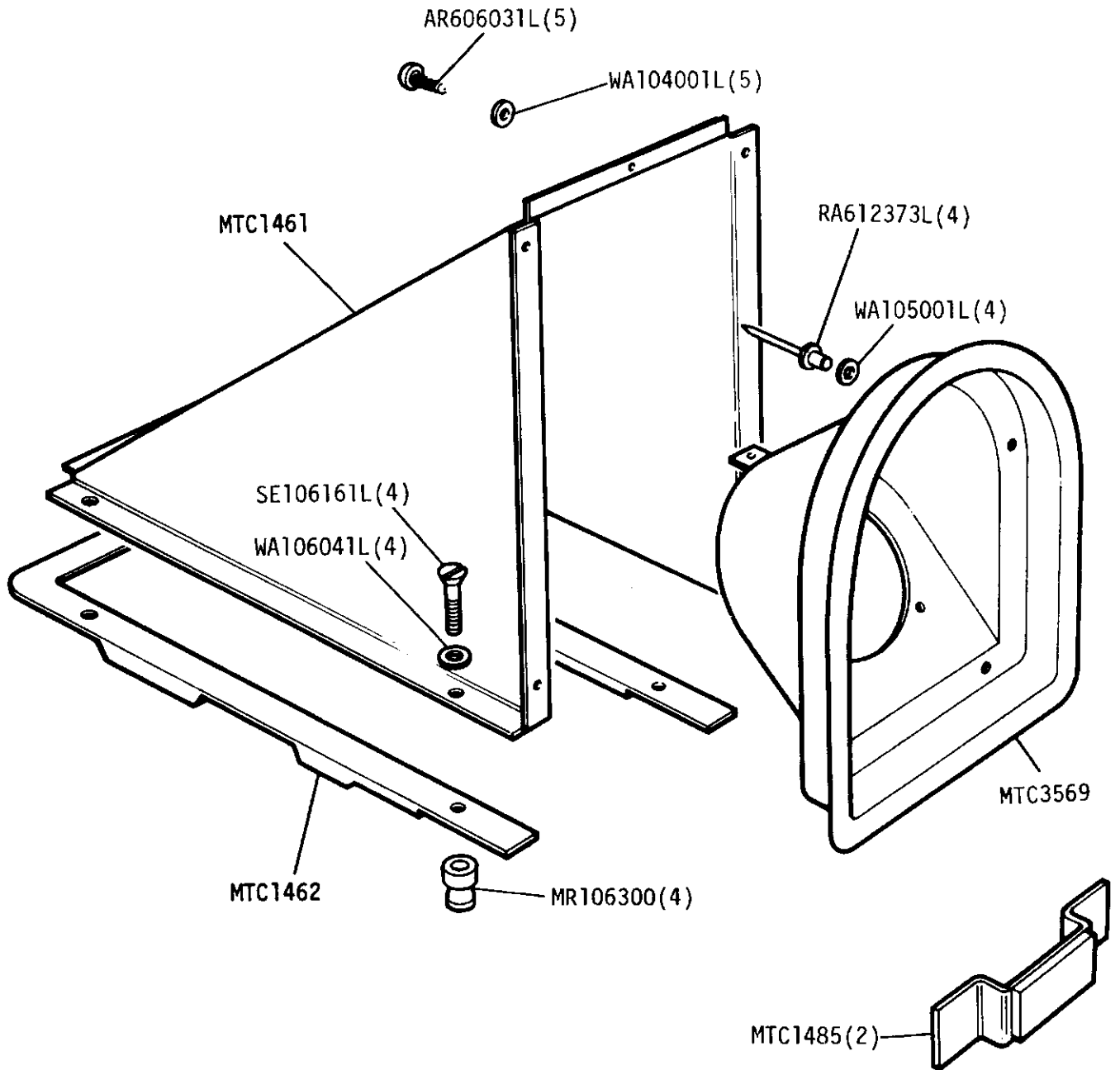
① Required when Fog or Reverse Lamps are fitted

GROUP L
 BODY - Spare Wheel Mounting H.C.P.U.



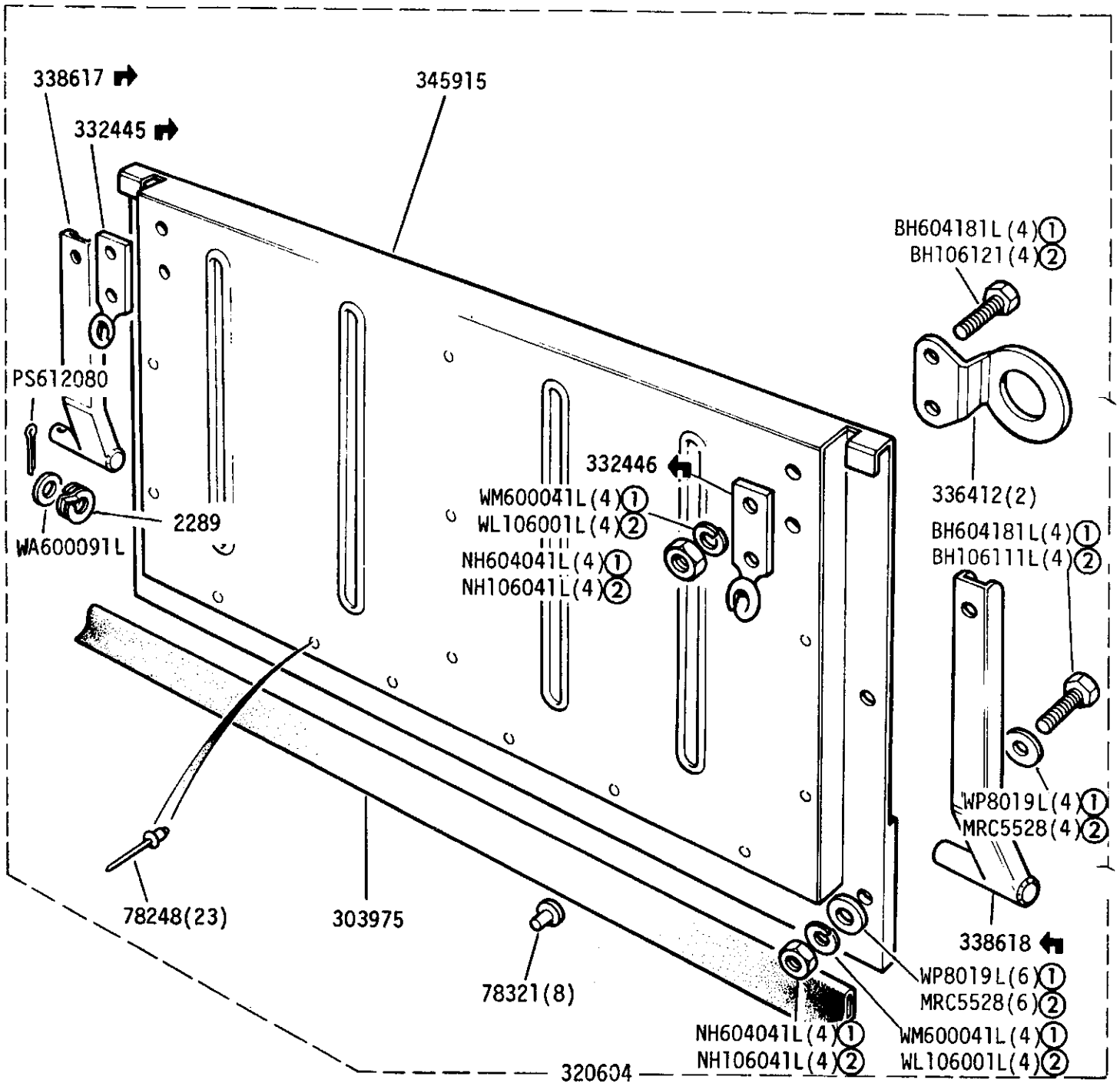
● Vehicles fitted with Hood assembly with side windows.

GROUP L
BODY - Fuel Filler Cowl H.C.P.U.



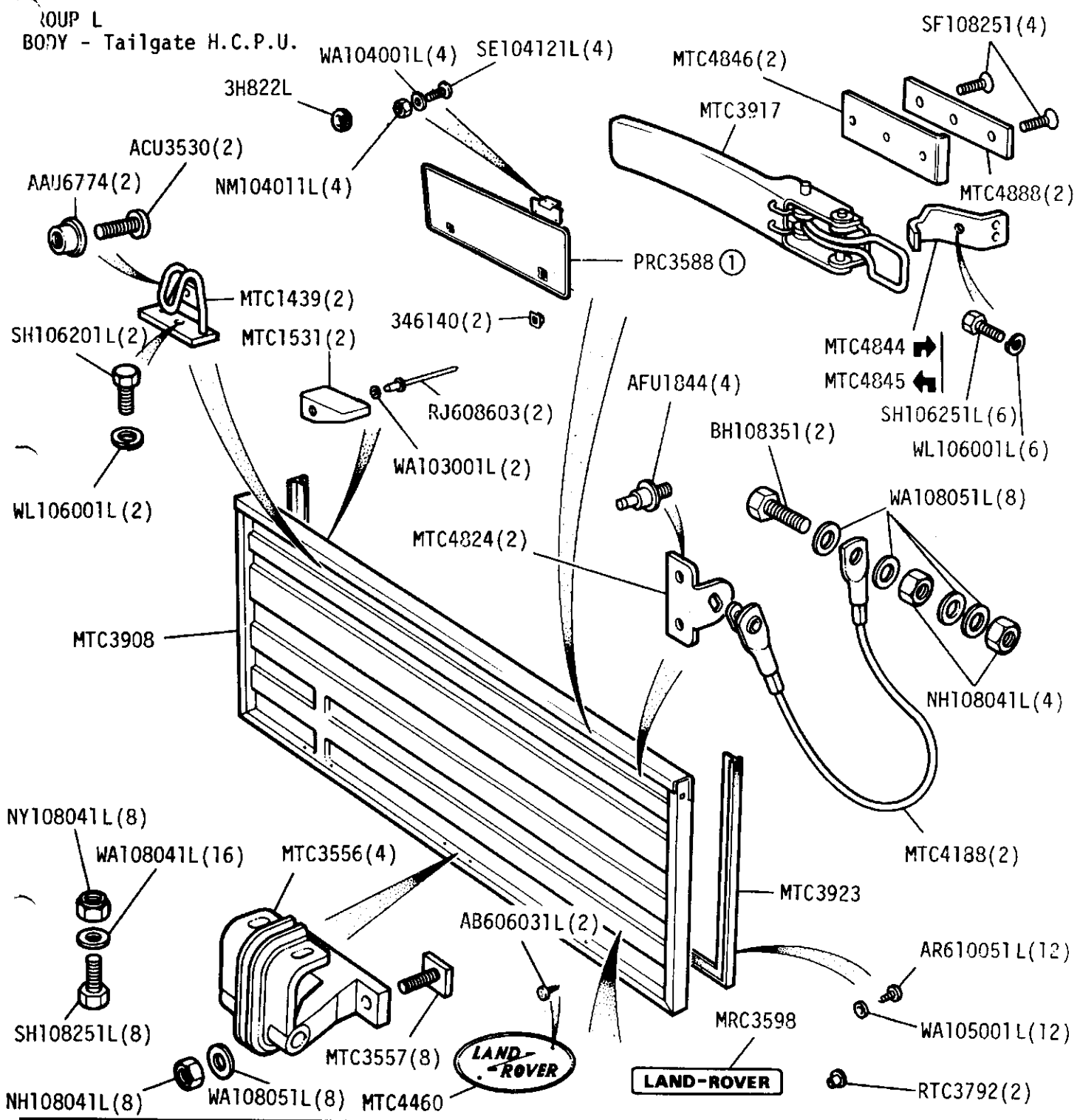
Label, "Diesel Fuel" - MTC4320

GROUP L
 BODY - Tailboard Assembly



- ① UNF
- ② METRIC

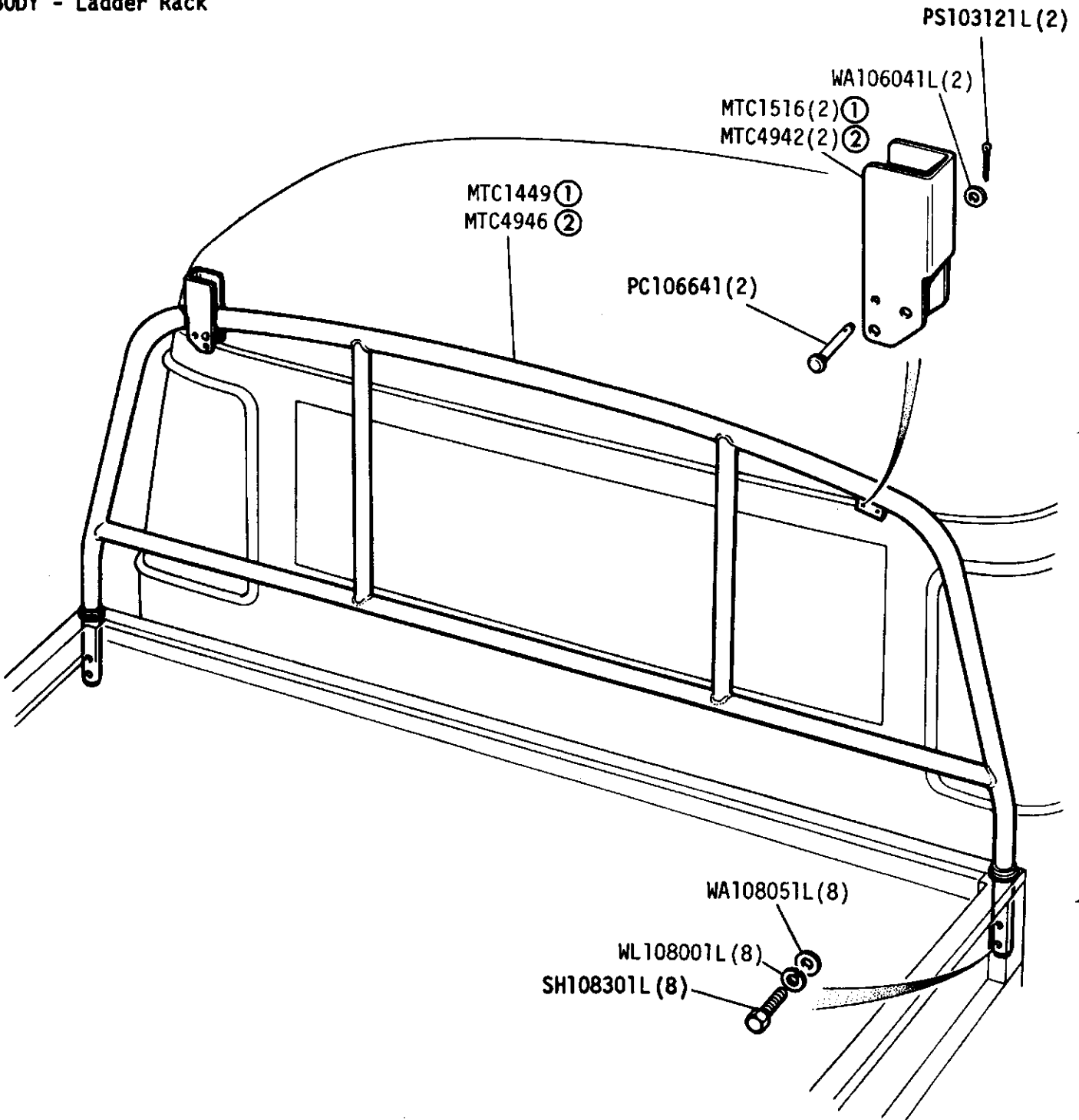
GROUP L
BODY - Tailgate H.C.P.U.



① Optional if required.

GROUP L

BODY - Ladder Rack



- ① Black Finish
- ② Galvanised Finish

ROUP N

BODY - Rear Wheelguards and Mudflaps - H.C.P.U.

